

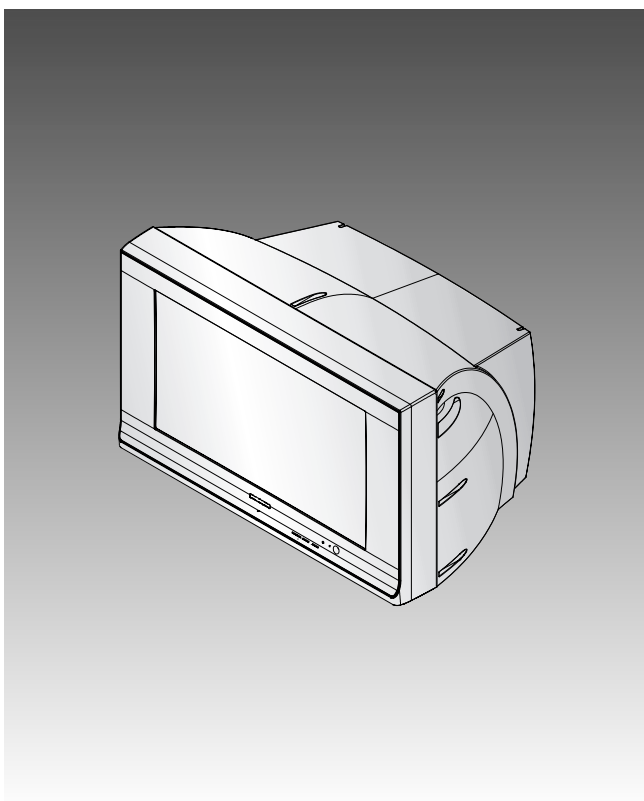
SAMSUNG

COLOR TELEVISION RECEIVER

Chassis : K55A
Model : TXN2771HFX/XAA
TXN2771HFX/XAC
TXN2670WHFXXAA

SERVICE *Manual*

COLOR TELEVISION RECEIVER



CONTENTS

1. Precautions
2. Reference Information
3. Specifications
4. Alignment and Adjustments
5. Exploded Views and Parts List
6. Electrical Parts List
7. Troubleshooting
8. Block Diagrams
9. Schematic Diagrams



ELECTRONICS

1. Precautions

Follow these safety, servicing and ESD precautions to prevent damage and protect against potential hazards such as electrical shock and X-rays.

1-1 Safety Precautions

1. Be sure that all of the built-in protective devices are replaced. Restore any missing protective shields.
2. When reinstalling the chassis and its assemblies, be sure to restore all protective devices, including: nonmetallic control knobs and compartment covers.
3. Make sure that there are no cabinet openings through which people—particularly children—might insert fingers and contact dangerous voltages. Such openings include the spacing between the picture tube and the cabinet mask, excessively wide cabinet ventilation slots, and improperly fitted back covers.

If the measured resistance is less than 1.0 megohm or greater than 5.2 megohms, an abnormality exists that must be corrected before the unit is returned to the customer.

4. Leakage Current Hot Check (Figure 1-1):
Warning: Do not use an isolation transformer during this test. Use a leakage-current tester or a metering system that complies with American National Standards Institute (ANIS C101.1, Leakage Current for Appliances), and Underwriters Laboratories (UL Publication UL1410, 59.7).
5. With the unit completely reassembled, plug the AC line cord directly into the power outlet. With the unit's AC switch first in the ON position and then OFF, measure the current between a known earth ground (metal water pipe, conduit, etc.) and all exposed metal parts, including: antennas, handle brackets, metal cabinets, screwheads and control shafts. The current measured should not exceed 0.5 milliamp. Reverse the power-plug prongs in the AC outlet and repeat the test.

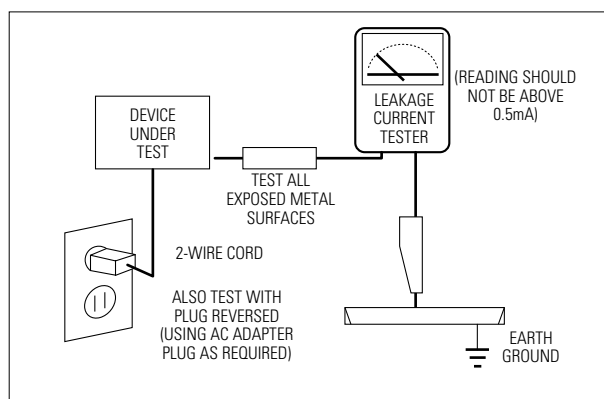


Fig. 1-1 AC Leakage Test

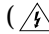

6. Antenna Cold Check:
With the unit's AC plug disconnected from the AC source, connect an electrical jumper across the two AC prongs. Connect one lead of the ohmmeter to an AC prong. Connect the other lead to the coaxial connector.
7. X-ray Limits:
The picture tube is especially designed to prohibit X-ray emissions. To ensure continued X-ray protection, replace the picture tube only with one that is the same type as the original. Carefully reinstall the picture tube shields and mounting hardware; these also provide X-ray protection.
8. High Voltage Limits:
High voltage must be measured each time servicing is done on the B+, horizontal deflection or high voltage circuits. Correct operation of the X-ray protection circuits must be reconfirmed whenever they are serviced.
(X-ray protection circuits also may be called "horizontal disable" or "hold-down".)

Heed the high voltage limits. These include the X-ray Protection Specifications Label, and the Product Safety and X-ray Warning Note on the service data schematic.

1-1 Safety Precautions (Continued)

9. High voltage is maintained within specified limits by close-tolerance, safety-related components and adjustments. If the high voltage exceeds the specified limits, check each of the special components.
10. Design Alteration Warning:
Never alter or add to the mechanical or electrical design of this unit. Example: Do not add auxiliary audio or video connectors. Such alterations might create a safety hazard. Also, any design changes or additions will void the manufacturer's warranty.
11. Hot Chassis Warning:
Some TV receiver chassis are electrically connected directly to one conductor of the AC power cord. If an isolation transformer is not used, these units may be safely serviced only if the AC power plug is inserted so that the chassis is connected to the ground side of the AC source.

To confirm that the AC power plug is inserted correctly, do the following: Using an AC voltmeter, measure the voltage between the chassis and a known earth ground. If the reading is greater than 1.0V, remove the AC power plug, reverse its polarity and reinsert. Re-measure the voltage between the chassis and ground.
12. Some TV chassis are designed to operate with 85 volts AC between chassis and ground, regardless of the AC plug polarity. These units can be safely serviced only if an isolation transformer inserted between the receiver and the power source.
13. Some TV chassis have a secondary ground system in addition to the main chassis ground. This secondary ground system is not isolated from the AC power line. The two ground systems are electrically separated by insulating material that must not be defeated or altered.
14. Components, parts and wiring that appear to have overheated or that are otherwise damaged should be replaced with parts that meet the original specifications. Always determine the cause of damage or overheating, and correct any potential hazards.
15. Observe the original lead dress, especially near the following areas: Antenna wiring, sharp edges, and especially the AC and high voltage power supplies. Always inspect for pinched, out-of-place, or frayed wiring. Do not change the spacing between components and the printed circuit board. Check the AC power cord for damage. Make sure that leads and components do not touch thermally hot parts.
16. Picture Tube Implosion Warning:
The picture tube in this receiver employs "integral implosion" protection. To ensure continued implosion protection, make sure that the replacement picture tube is the same as the original.
17. Do not remove, install or handle the picture tube without first putting on shatterproof goggles equipped with side shields. Never handle the picture tube by its neck. Some "in-line" picture tubes are equipped with a permanently attached deflection yoke; do not try to remove such "permanently attached" yokes from the picture tube.
18. Product Safety Notice:
Some electrical and mechanical parts have special safety-related characteristics which might not be obvious from visual inspection. These safety features and the protection they give might be lost if the replacement component differs from the original—even if the replacement is rated for higher voltage, wattage, etc.

Components that are critical for safety are indicated in the circuit diagram by shading, () or (). Use replacement components that have the same ratings, especially for flame resistance and dielectric strength specifications. A replacement part that does not have the same safety characteristics as the original might create shock, fire or other hazards.

1-2 Servicing Precautions

Warning1: First read the "Safety Precautions" section of this manual. If some unforeseen circumstance creates a conflict between the servicing and safety precautions, always follow the safety precautions.

Warning2: An electrolytic capacitor installed with the wrong polarity might explode.

1. Servicing precautions are printed on the cabinet. Follow them.
2. Always unplug the unit's AC power cord from the AC power source before attempting to:
(a) Remove or reinstall any component or assembly, (b) Disconnect an electrical plug or connector, (c) Connect a test component in parallel with an electrolytic capacitor.
3. Some components are raised above the printed circuit board for safety. An insulation tube or tape is sometimes used. The internal wiring is sometimes clamped to prevent contact with thermally hot components. Reinstall all such elements to their original position.
4. After servicing, always check that the screws, components and wiring have been correctly reinstalled. Make sure that the portion around the serviced part has not been damaged.
5. Check the insulation between the blades of the AC plug and accessible conductive parts (examples: metal panels, input terminals and earphone jacks).
6. Insulation Checking Procedure: Disconnect the power cord from the AC source and turn the power switch ON. Connect an insulation resistance meter (500V) to the blades of the AC plug.

The insulation resistance between each blade of the AC plug and accessible conductive parts (see above) should be greater than 1 megohm.
7. Never defeat any of the B+ voltage interlocks. Do not apply AC power to the unit (or any of its assemblies) unless all solid-state heat sinks are correctly installed.
8. Always connect a test instrument's ground lead to the instrument chassis ground before connecting the positive lead; always remove the instrument's ground lead last.

1-3 Precautions for Electrostatically Sensitive Devices (ESDs)

1. Some semiconductor (“solid state”) devices are easily damaged by static electricity. Such components are called Electrostatically Sensitive Devices (ESDs); examples include integrated circuits and some field-effect transistors. The following techniques will reduce the occurrence of component damage caused by static electricity.
2. Immediately before handling any semiconductor components or assemblies, drain the electrostatic charge from your body by touching a known earth ground. Alternatively, wear a discharging wrist-strap device. (Be sure to remove it prior to applying power—this is an electric shock precaution.)
3. After removing an ESD-equipped assembly, place it on a conductive surface such as aluminum foil to prevent accumulation of electrostatic charge.
4. Do not use freon-propelled chemicals. These can generate electrical charges that damage ESDs.
5. Use only a grounded-tip soldering iron when soldering or unsoldering ESDs.
6. Use only an anti-static solder removal device. Many solder removal devices are not rated as “anti-static”; these can accumulate sufficient electrical charge to damage ESDs.
7. Do not remove a replacement ESD from its protective package until you are ready to install it. Most replacement ESDs are packaged with leads that are electrically shorted together by conductive foam, aluminum foil or other conductive materials.
8. Immediately before removing the protective material from the leads of a replacement ESD, touch the protective material to the chassis or circuit assembly into which the device will be installed.
9. Minimize body motions when handling unpackaged replacement ESDs. Motions such as brushing clothes together, or lifting a foot from a carpeted floor can generate enough static electricity to damage an ESD.

CAUTION

These servicing instructions are for use by qualified service personnel only. To reduce the risk of electric shock do not perform any servicing other than that contained in the operating instructions unless you are qualified to do so.

2. Reference Information

2-1 Tables of Abbreviations and Acronyms

Table 2-1 Abbreviations

A	Ampere	MV	Megavolt
Ah	Ampere-hour	MW	Megawatt
Å	Angstrom	MΩ	Megohm
dB	Decibel	m	Meter
dBm	Decibel Referenced to One Milliwatt	μA	Microampere
°C	Degree Celsius	μF	Microfarad
°F	Degree Fahrenheit	μH	Microhenry
°K	degree Kelvin	μm	Micrometer
F	Farad	μs	Microsecond
G	Gauss	μW	Microwatt
GHz	Gigahertz	mA	Milliampere
g	Gram	mg	Milligram
H	Henry	mH	Millihenry
Hz	Hertz	ml	Milliliter
h	Hour	mm	Millimeter
ips	Inches Per Second	ms	Millisecond
kWh	Kilowatt-hour	mV	Millivolt
kg	Kilogram	nF	Nanofarad
kHz	Kilohertz	Ω	Ohm
kΩ	Kilohm	pF	Picofarad
km	Kilometer	lb	Pound
km/h	Kilometer Per Hour	rpm	Revolutions Per Minute
kV	Kilovolt	rps	Revolutions Per Second
kVA	Kilovolt-ampere	s	Second (Time)
kW	Kilowatt	V	Volt
l	Liter	VA	Volt-ampere
MHz	Megahertz	W	Watt
		Wh	Watt-hour

Table 2-2 Table of Acronyms

ABL	Automatic Brightness Limiter	I/O	Input/output
AC	Alternating Current	L	Left
ACC	Automatic Chroma Control	L	Low
AF	Audio Frequency	LED	Light Emitting Diode
AFC	Automatic Frequency Control	LF	Low Frequency
AFT	Automatic Fine Tuning	MOSFET	Metal-Oxide-Semiconductor-Field-Effect-Tr
AGC	Automatic Gain Control	MTS	Multi-channel Television Sound
AM	Amplitude Modulation	NAB	National Association of Broadcasters
ANSI	American National Standards Institute	NEC	National Electric Code
APC	Automatic Phase Control	NTSC	National Television Systems Committee
APC	Automatic Picture Control	OSD	On Screen Display
A/V	Audio-Video	PCB	Printed Circuit Board
AVC	Automatic Volume Control	PLL	Phase-Locked Loop
BAL	Balance	PWM	Pulse Width Modulation
BPF	Bandpass Filter	QIF	Quadrature Intermediate Frequency
B-Y	Blue-Y	R	Right
CATV	Community Antenna Television (Cable TV)	RC	Resistor & Capacitor
CB	Citizens Band	RF	Radio Frequency
CCD	Charge Coupled Device	R-Y	Red-Y
CCTV	Closed Circuit Television	SAP	Second Audio Program
Ch	Channel	SAW	Surface Acoustic Wave(Filter)
CRT	Cathode Ray Tube	SIF	Sound Intermediate Frequency
CW	Continuous Wave	SMPS	Switching Mode Power Supply
DC	Direct Current	S/N	Signal/Noise
DVM	Digital Volt Meter	SW	Switch
EIA	Electronics Industries Association	TP	Test Point
ESD	Electrostatic Discharge	TTL	Transistor Transistor Logic
ESD	Electrostatically Sensitive Device	TV	Television
FBP	Feedback Pulse	UHF	Ultra High Frequency
FBT	Flyback Transformer	UL	Underwriters Laboratories
FF	Flip-Flop	UV	Ultraviolet
FM	Frequency Modulation	VCD	Variable-Capacitance Diode
FS	Fail Safe	VCO	Voltage Controlled Oscillator
GND	Ground	VCXO	Voltage Controlled Crystal Oscillator
G-Y	Green-Y	VHF	Very High Frequency
H	High	VIF	Video Intermediate Frequency
HF	High-Frequency	VR	Variable Resistor
HI-FI	High Fidelity	VTR	Video Tape Recorder
IC	Inductance-Capacitance	VTVM	Vacuum Tube Voltmeter
IC	Integrated Circuit	TR	Transistor
IF	Intermediate Frequency		

2-2 IC Line Up

Block	Des-Loc	Part-Number	IC Name	Description
MAIN	IC901	AA09-00041A	SDA555X-OTP	IC-MCU
	HIC401	AA13-00094A	DDR1001A	IC HYBRID
	TU02S	AA40-00041A	TCPN3081PC09C(S)	TUNER-F/S
	IC06	1203-002000	DETECTOR;7027	IC-VOL
	IC805	1203-001006	78R05)	IC-VOLTAGE REGULATOR
	HC401	0502-001230	FJL6920YDTU)	TR-POWER
	D801S	0402-001399	GSIB660	DIODE-BREDGE
	HC801	1230-001006	78R05	IC-VOLTAGE REGULATOR
	IC602	1201-001385	7269A	IC-POWER AMP
	IC801S	1203-002512	KA5Q1565RF	IC-PWM CONTROLLER
	IC301	1204-000517	LA7845	IC-VERTICAL DEF
	IC902	1103-001177	24WC16	IC-EEPROM
	IC401	1202-000103	393, DIP, 8P	IC-VOLTAGE COMP
	IC803	1203-001225	78R09	IC-POSI.FIXED REG
	IC601	1204-001970	MSP3421G0P0-8	IC-SOUND PROCESSOR
	TU01S	AA40-00020A	TCLN3181PA09A(S)	TUNER-F/S
	IC402	1203-000243	7812A	IC-POSI.FIXED REG
	IC804	1203-001217	431	IC-POSI.ADJUST REG
	IC904	1203-001943	7025	IC-VOL DETECTOR
	IC202	1203-001944	78RM33	IC-POSI.FIXED REG
Q402	0505-001116	BUZ73A	FET-SILICON	
IC903	1203-001944	78RM33	IC-POSI.FIXED REG	
F-BOX	IC06	1203-002000	7027	IC-VOL DETECTOR
	IC11	0801-000662	74HC123	IC-CMOS LIGIC
	IC03	1001-001082	BA7657F	IC-VIDEO SWITCH
	IC10	1001-001177	TEA6425D	IC-VIDEO SWITCH
	IC08	1203-001419	4931	IC-VOLTAGE REGULATOR
	IC05	1203-002186	18, DPAK	IC-POSI.FIXED REG

Block	Des-Loc	Part-Number	IC Name	Description
F-BOX	IC07	1203-002351	LF25C	IC-VOLTAGE REGULATOR
	IC02	1204-001814	CXA2151Q	IC-SELECTOR
	IC09	1204-001935	UPD64083GF	IC-SEPARATOR
	IC01	1204-001938	VSP9407B-B11	IC-DECODER
	IC04	1204-001989	CXA2165Q	IC-VIDEO PROCESS
29"34" CRT	QF10	0502-000153	SC2344-D	TR-POWER
	QF09	0502-000131	2SA1011-D	TR-POWER;
	IC501	1201-001131	6111Q	IC-VIDEO AMP
	IC502	1201-001131	6111Q	IC-VIDEO AMP
	IC503	1201-001131	6111Q	IC-VIDEO AMP
	IC504	1201-000010	2030	IC-OP AMP
32" CRT	IC505	1203-000165	78R12	IC-POSI.ADJUST REG
	QF10	0502-000153	2SC2344-D	TR-POWER
	QF09	0502-000131	2SCA1011-D	TR-POWER
	IC501	1201-001588	6120Q	IC-VIDEO AMP
	IC502	1201-001588	6120Q	IC-VIDEO AMP
	IC503	1201-001588	6120Q	IC-VIDEO AMP
	IC504	1201-000010	2030	IC-OP AMP

3. Specifications

Broadcasting System	NTSC-M
Tuning System	Electronic Remote Control System
Receiving Channels	VHF (CH 2 ~ 13)
	UHF (CH 14 ~ 69)
	CATV (CH 1, 14 ~ 125)
ANTENNA INPUT RESISTANCE	VHF, UHF 75 unbalanced
Intermediate Frequency	Video: 45.75 MHz
	Sound: 41.25 MHz
	Chrominance Subcarrier: 42.17 MHz
Power Supply	AC 120V, 60Hz

MEMO

4. Alignment and Adjustments

4-1 Adjustments

4-1-1 General Alignment Instructions

Usually, a color TV needs only slight touch-up adjustment upon installation. Check the basic characteristics such as vertical size, horizontal size, and focus. Observe the picture and check for good black and white details. There must be no objectionable color shading: If color shading is present, demagnetize the receiver. If color shading persists, re-do purity and convergence adjustments.

Note :

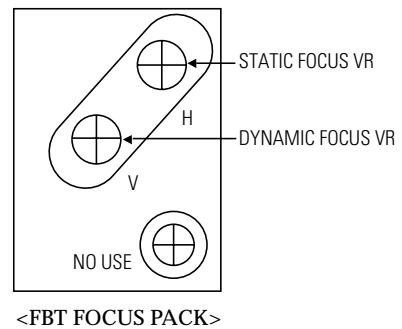
1. This '4. Alignment and Adjustments' applies to KS4A chassis applications.
2. AC Power Supply: 220 V only
3. This service manual has been written on the basis of domestic remote-control model adopting KS4A chassis. Depending on sales location and product specifications, some of specifications herein may be changed.

4-1-2 Focus Adjustment

KS4A contains a dynamic focus circuit. When CRT PCB, FBT or CRT is replaced, be sure to adjust in the following sequence:

Dynamic Focus Adjustment

1. Input a crosshatch pattern.
2. Select "Standard" from the menu,
3. Turn the Static Focus VR clockwise to set it to its maximum.
4. Turn the Dynamic Focus VR counterclockwise to set it to its maximum.
5. Turn the Static Focus VR counterclockwise slowly for the clearest center vertical line.



6. Turn the Dynamic Focus VR clockwise slowly for the clearest third line.



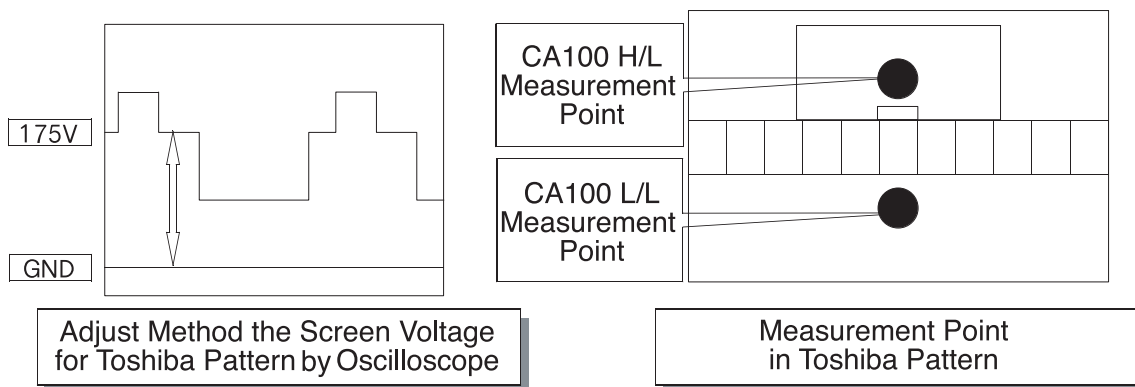
7. Check for the FOCUS of entire screen. If necessary, re-do adjustments 3~6.

4-1-3 Screen Voltage Adjustment

1. Enter the Service Mode by pressing the remote control keys in the following sequence : Power Off → Mute → 1 → 8 → 2 Power On
2. Initialize all set data.
3. Input a Toshiba pattern.
4. Use an oscilloscope to identify RK, BK, GK. And then adjust FBT Screen VR so that the voltage of pedestal level doesn't exceed 175V.
 If a Toshiba pattern is not available, cancel the blue screen and input "No Signal" to AV IN so the voltage of pedestal level doesn't exceed 188V.
 If an oscilloscope is not available, use a DC multi-meter in No Signal (black screen) to adjust RK, BK, GK so that the highest voltage becomes 175Vp-p.

4-1-4 White Balance Adjustment

1. Warm up the TV set for at least 30 minutes.
2. Enter the Service Mode by pressing the remote control keys in the following sequence: Power Off -> Mute → 1 → 8 → 2 → Power On
3. Initialize all set data.
4. Input a Toshiba pattern.
5. Using a probe (CA100), do the White Balance adjustments.
 - a) Adjust Low-Light.
 - Adjust Sub Brightness to set Y.
 - Adjust B Cutoff to set y.
 - Adjust R Cutoff to set x.
 - b) Adjust High-Light.
 - Adjust Sub Contrast to set Y.
 - Adjust B Drive to set y.
 - Adjust R Drive to set x.
 - c) Check the value of Low-Light. If necessary, readjust Low-Light.
 - d) Check the value of High-Light. If necessary, readjust High-Light.15



4-1-5 When adjusting Screen Voltage and White Balance

1. Screen Voltage and White Balance are related each other. Make sure both adjustments are correct.
2. Adjust Screen Voltage before White Balance Adjustments. Make sure Screen Voltage is correct.
3. If White Balance has been readjusted, re-check Screen Voltage.
4. After adjustments are complete, check the following.
 - If spots appear on the screen after pressing the Power On/Off key, readjust Screen Voltage.
 - If flyback lines appear on the screen, readjust Screen Voltage.

4-2 MICOM PORT

PIN	FUNCTION	FIRST STATE	ASSIGNMENT												
1	W-PORT	HIGH	- RESET Control jack during E2PROM latch UP (Function: Low)SERIAL H												
2	ROM SDA	SERIAL H	- E2PROM only SDA LINE												
3	ROM SCL	SERIAL H	- E2PROM only SCL LINE												
4	BUS-STOP	HIGH	- Automation and after-sales service related BUS STOP (STOP: LOW)												
5	MAIN SDA	SERIAL H	- CXA2150Q / CXA2151Q /VSP940X / BA7657F / MSP34XX / TUNER Control jack												
6	MAIN SCL	SERIAL H	- CXA2150Q / CXA2151Q /VSP940X / BA7657F / MSP34XX / TUNER Control jack												
7	S-RESET	HIGH	- Reset when MSP34XX IC (SOUND PROCESS IC) has an error (Active: LOW)												
8	V-RESET	HIGH	- Reset when VSP940X IC (1-chip IC) has an error												
9	VDD 2.5V	HIGH													
10	GND		- Analog GND												
11	VDD 3.3V	HIGH													
12	CVBS IN	IV p-p	- TTX and USA Caption Input source Line (1V p-p)												
13	VDD 2.5V	HIGH													
14	GND														
15	AFT		- Main AFT Control jack (0 - 3.3V)												
16	SC1-ID		<table border="1"> <thead> <tr> <th rowspan="2">RANGE</th> <th>TV MODE</th> <th colspan="2">AV MODE</th> </tr> <tr> <td></td> <th>16 : 9 MODE</th> <th>4 : 3 MODE</th> </tr> </thead> <tbody> <tr> <td>0 ~ 2V</td> <td>4.5 ~ 7V</td> <td>9.5 ~ 12V</td> </tr> </tbody> </table>	RANGE	TV MODE	AV MODE			16 : 9 MODE	4 : 3 MODE	0 ~ 2V	4.5 ~ 7V	9.5 ~ 12V		
RANGE	TV MODE	AV MODE													
		16 : 9 MODE	4 : 3 MODE												
0 ~ 2V	4.5 ~ 7V	9.5 ~ 12V													
17	SC-2-ID														
18	KEY-1	HIGH	<table border="1"> <thead> <tr> <th></th> <th>MENU</th> <th>VOL-</th> <th>VOL+</th> <th>CH-</th> <th>CH+</th> </tr> </thead> <tbody> <tr> <th>PHILIPS</th> <td>0 ~ 0.1V</td> <td>0.1 ~ 0.7V</td> <td>0.7V ~ 13V</td> <td>1.3V ~ 1.9V</td> <td>0.9 ~ 2.4V</td> </tr> </tbody> </table>		MENU	VOL-	VOL+	CH-	CH+	PHILIPS	0 ~ 0.1V	0.1 ~ 0.7V	0.7V ~ 13V	1.3V ~ 1.9V	0.9 ~ 2.4V
	MENU	VOL-	VOL+	CH-	CH+										
PHILIPS	0 ~ 0.1V	0.1 ~ 0.7V	0.7V ~ 13V	1.3V ~ 1.9V	0.9 ~ 2.4V										
19	H-SYNC	POSITIVE	- MICOM "H-SYNC" Input, POSITIVE Input (3.3 V p-p)												
20	V-SYNC	POSITIVE	- MICOM "V-SYNC" Input, POSITIVE Input (3.3 V p-p)												
21	KEY-3	HIGH	- Power ON/OFF Control jack												
22	KEY-2	HIGH	- TV/VIDEO switching control jack												
23	X-RAY	HIGH	- Function: Low												
24	IR-IN		- Remote Control Input Jack												
25	STD-LED	HIGH	- STANDBY: Hight, OFF: LOW												
26	TIM-LED	LOW	- TIME ON: H TIME OFF: L												
27	RELAY		- DEGAUSSING COIL CONTROL: Based on standard specifications												
28	SW1	HIGH	- H: IN1, L: IN2 (BA7657F) PIN (#16) Control jack												
29	GND														
30	VDD 3.3V	HIGH													
31(33)	RESET	LOW	- Reset active : HIGH												
32(34)	X-IN		- Crystal oscillation input jack												
33(35)	X-OUT		- Crystal oscillation output jack												
34(36)	GND														
35(37)	VDD 2.5V	HIGH													
36(38)	OSD-R	1.2V p-p	- OSD R-OUT OUTPUT jack (0.38V p-p) ,half tone: 0.9V p-p												
37(39)	OSD-G	1.2V p-p	- OSD G-OUT OUTPUT jack (0.38V p-p) ,half tone: 0.9V p-p												

PIN	FUNCTION	FIRST STATE	ASSIGNMENT									
37(40)	OSD-B	1.2V p-p	- OSD B-OUT OUTPUT jack (0.38V p-p) ,half tone: 0.9V p-p									
38(41)	CORE	0.9V p-p	- OSD F/B OUTPUT jack (Clamped at SAND PULSE, Half Tone: "LOW")									
39(42)	VDD 2.5V	HIGH										
40(43)	GND											
41(44)	VDD 3.3V	HIGH										
42(45)	PX, Y	HIGH	- V-SYNC INPUT									
43(46)	PX, Y	HIGH	- F/B INPUT JACK									
44(47)	SW3	H	<table border="1"> <thead> <tr> <th>F1</th> <th>F0</th> <th>fH</th> </tr> </thead> <tbody> <tr> <td>L</td> <td>M</td> <td>1.75KHz (480i/480P)</td> </tr> <tr> <td>M</td> <td>L</td> <td>33.75KHz (1080i)</td> </tr> </tbody> </table> <p>LOW: GNDHIGH : OPEN STATUS Initially, these pins select an input source at LOW state</p>	F1	F0	fH	L	M	1.75KHz (480i/480P)	M	L	33.75KHz (1080i)
F1	F0	fH										
L	M	1.75KHz (480i/480P)										
M	L	33.75KHz (1080i)										
45(48)	SW2	L										
46(49)	S-MUTE		- System (NTSC/PAL) MUST be separated									
47(50)	POWER		- Active "LOW"									
48(51)	H.P-ID		- 1080I control jack: 1080i (LOW), RF (High)									
49(52)	TILT	HIGH	- Magnetic field control									

4-3 Factory Adjustment Values and White Balance Settings

4-3-1 Factory Adjustment Values

SERVICE
 Deflection
 480P Offset
 1080i Offset
 PC Offset
 DVI Offset(480p)
 DVI Offset(1080i)
 Video Adjust 1
 Video Adjust 2
 Video Adjust 3
 Video Adjust DN1e
 Option Reset

MICOM NAME	VERSION
SIM-460A1	PC,DVI ADJUST MODE NOT INCLUDED V CHIP : ONLY USA
SIM-460A4	PC,DVI ADJUST MODE INCLUDED V CHIP : USA + CANADA
T_YSTP02_001	Video Adjust DN1e INCLUDED
T_YST2US_1001	Video Adjust DN1e (SDP22 → SDP31) PC ADJUST MODE DELETE

4-3-2 White Balance Settings

	SDI CRT	SDI CRT	SDI CRT	SDI CRT	SDI CRT
	29" FLAT	29" FLAT	32" WIDE	34" FLAT	28" FLAT
MODEL	TXN2771HF TXN2775HF CL29Z7HEGX CL29Z6HEGX	TXN2745FPX	TXN3071WHF TXN3075WHF CL32Z7HEGX CL32Z6HEGX	TXN3271HF TXN3275HF	TXN2670WHF
H	275/265 45ft	275/265 45ft	275/265 45ft	275/265 40ft	275/265 45ft
L	275/265 1.0ft	275/265 1.0ft	275/265 1.0ft	275/265 1.0ft	275/265 1.0ft
	LG CRT	SDI CRT	SDI CRT	SDI CRT	TSB CRT
	34" FLAT	29" FLAT	32" WIDE	34" FLAT	34" FLAT
MODEL	TXN3234HF	TXN2798HF	TXN3098WHF	TXN3298HF	CL34Z7HEGX CL34Z6HEGX
H	275/265 45ft	275/265 45ft	275/265 45ft	275/265 40ft	275/265 45ft
L	275/265 1.0ft	275/265 1.0ft	275/265 1.0ft	275/265 1.0ft	275/265 1.0ft

4-4 Functions of Each Port in Service Mode



Deflection

MODEL ITEM	SDI CRT	SDI CRT	SDI CRT	SDI CRT	SDI CRT	SDI CRT	SDI CRT	SDI CRT	SDI CRT	SDI CRT	SDI CRT	SDI CRT	SDI CRT	SDI CRT	SDI CRT	SDI CRT	SDI CRT	SDI CRT	SDI CRT	TSB CRT
	29" FLAT	29" FLAT	32" WIDE	34" FLAT	28" FLAT	34" FLAT	34" FLAT	34" FLAT	32" WIDE	34" FLAT	29" FLAT	34" FLAT	32" WIDE	34" FLAT	34" FLAT	32" WIDE	34" FLAT	34" FLAT	34" FLAT	34" FLAT
	TXN2771HF	TXN2745FPX	TXN3071WHF	TXN3271HF	TXN2670WHF	TXN3271HF	TXN3234HF	TXN2798HF	TXN3098WHF	TXN2798HF	TXN2798HF	TXN3098WHF	TXN3098WHF	TXN2798HF	TXN2798HF	TXN3098WHF	TXN3298HF	TXN3298HF	TXN3298HF	CL34Z7HEGX
	CL29Z7HEGX		CL32Z7HEGX	TXN3275HF	TXN2670WHF	TXN3275HF	TXN3234HF	TXN2798HF	TXN3098WHF	TXN2798HF	TXN2798HF	TXN3098WHF	TXN3098WHF	TXN2798HF	TXN2798HF	TXN3098WHF	TXN3298HF	TXN3298HF	TXN3298HF	CL34Z6HEGX
	CL29Z6HEGX		CL32Z6HEGX																	
V Amp	45	45	30	45	30	45	38	45	30	45	38	30	30	45	30	45	45	45	50	50
V Shift	30	30	30	28	27	28	30	30	27	30	30	30	30	30	30	28	28	28	28	28
H EW	30	30	30	30	32	30	32	30	32	30	32	30	30	30	30	30	30	30	30	30
H Shift	15	15	16	25	26	25	32	15	26	32	32	16	16	25	25	25	25	25	25	25
V Linearity	5	5	6	11	4	11	4	5	4	4	4	6	6	11	6	11	11	11	5	5
Upper Linearity	6	6	4	15	7	15	3	6	7	3	3	4	4	15	4	15	15	15	7	7
Lower Linearity	6	6	4	5	7	5	3	6	7	3	3	4	4	5	4	5	5	5	7	7
V SC	3	3	3	5	3	5	3	3	3	3	3	3	3	5	3	5	5	5	3	3
H Parabol a	30	30	32	40	28	40	40	30	28	40	40	32	32	40	32	40	40	40	40	40
Upper Corner	30	30	35	40	36	40	40	30	36	40	40	35	35	40	35	40	40	40	40	40
Lower Corner	32	32	35	35	32	35	35	32	32	35	35	35	35	35	35	35	35	35	35	35
H Trapezium	32	32	35	45	28	45	35	32	28	45	45	35	35	45	35	45	45	45	45	45
Bow	32	32	35	45	32	45	45	32	32	45	45	35	35	45	35	45	45	45	45	45
Angle	32	32	30	32	32	32	32	32	32	32	32	30	30	32	30	32	32	32	32	32
V Position	32	32	32	32	32	32	32	32	32	32	32	32	32	32	32	32	32	32	32	32
CXA Left Blk	30	30	30	30	30	30	30	33	30	30	30	30	30	30	30	30	30	30	30	30
CXA Right Blk	37	37	37	37	37	37	37	37	37	37	37	37	37	37	37	37	37	37	37	37



MODEL ITEM	SDI CRT	SDI CRT	SDI CRT	SDI CRT	SDI CRT	SDI CRT	SDI CRT	SDI CRT	SDI CRT	SDI CRT	SDI CRT	SDI CRT	SDI CRT	SDI CRT	SDI CRT	SDI CRT	SDI CRT	TSB CRT	
	29" FLAT	29" FLAT	32" WIDE	34" FLAT	28" FLAT	34" FLAT	34" FLAT	34" FLAT	32" WIDE	34" FLAT	34" FLAT	34" FLAT	32" WIDE	34" FLAT	34" FLAT	34" FLAT	34" FLAT	34" FLAT	
V Amp	1	1	0	2	0	2	2	2	0	1	2	2	0	2	2	2	2	2	2
V Shift	-1	-1	-1	-1	-1	-1	-1	-1	-1	-1	-1	-1	-1	-1	-1	-1	-1	-1	-1
H EW	5	5	6	4	6	4	4	4	6	5	4	4	6	4	4	4	4	4	4
H Shift	3	3	3	3	3	3	3	3	3	3	3	3	3	3	3	3	3	3	3
V Linearity	0	0	0	0	0	0	0	0	0	0	0	0	0	0	0	0	0	0	0
Upper Linearity	0	0	0	0	0	0	0	0	0	0	0	0	0	0	0	0	0	0	0
Lower Linearity	0	0	0	0	0	0	0	0	0	0	0	0	0	0	0	0	0	0	0
V SC	0	0	0	0	0	0	0	0	0	0	0	0	0	0	0	0	0	0	0
H Parabola	0	0	0	0	0	0	0	0	0	0	0	0	0	0	0	0	0	0	0
Upper Corner	0	0	0	0	0	0	0	0	0	0	0	0	0	0	0	0	0	0	0
Lower Corner	0	0	0	0	0	0	0	0	0	0	0	0	0	0	0	0	0	0	0
H Trapezium	0	0	0	0	0	0	0	0	0	0	0	0	0	0	0	0	0	0	0
Bow	0	0	0	0	0	0	0	0	0	0	0	0	0	0	0	0	0	0	0
Angle	0	0	0	0	0	0	0	0	0	0	0	0	0	0	0	0	0	0	0
V Position	0	0	0	0	0	0	0	0	0	0	0	0	0	0	0	0	0	0	0
CXA Left Blk	28	28	28	28	28	28	28	28	28	28	28	28	28	28	28	28	28	28	28
CXA Right Blk	36	36	36	36	36	36	36	36	36	36	36	36	36	36	36	36	36	36	36



108 0i Offset

MODEL	SDI CRT	SDI CRT	SDI CRT	SDI CRT	SDI CRT	SDI CRT	SDI CRT	SDI CRT	SDI CRT	SDI CRT	SDI CRT	SDI CRT	SDI CRT	SDI CRT	SDI CRT	SDI CRT	SDI CRT	SDI CRT	TSB CRT	
	29" FLAT	29" FLAT	32" WIDE	34" FLAT	28" FLAT	34" FLAT	34" FLAT	34" FLAT	29" FLAT	32" WIDE	34" FLAT	32" WIDE	34" FLAT	34" FLAT	34" FLAT	34" FLAT	34" FLAT	34" FLAT	34" FLAT	
ITEM	TXN2771HF	TXN2745FPX	TXN3071WHF	TXN3271HF	TXN2670WHF	TXN3234HF	TXN2798HF	TXN3098WHF	TXN3298HF	CL.34Z7HEGX	CL.34Z6HEGX									
	TXN2775HF		TXN3075WHF	TXN3275HF	TXN2670WHF	TXN3234HF	TXN2798HF	TXN3098WHF	TXN3298HF	CL.34Z7HEGX	CL.34Z6HEGX									
V Amp	-14	-	-13	-15	-10	-15	-14	-13	-15	-15	-15	-13	-14	-13	-15	-15	-15	-15	-15	-15
V Shift	-5	-	-4	-4	-4	-4	-5	-4	-4	-4	-4	-4	-5	-4	-4	-4	-4	-4	-4	-4
H EW	8	-	0	10	10	10	8	0	10	10	10	0	8	0	10	10	10	10	10	10
H Shift	0	-	-1	-1	-2	-1	0	-1	-1	-1	-1	0	0	-1	-1	-1	-1	-1	-1	-1
V Linearity	0	-	0	0	0	0	0	0	0	0	0	0	0	0	0	0	0	0	0	0
Up Linearity	0	-	0	0	0	0	0	0	0	0	0	0	0	0	0	0	0	0	0	0
Lower Linearity	0	-	0	0	0	0	0	0	0	0	0	0	0	0	0	0	0	0	0	0
V SC	0	-	0	0	0	0	0	0	0	0	0	0	0	0	0	0	0	0	0	0
H Parabola	0	-	-7	-3	0	-3	0	-7	0	0	-3	0	0	-7	-3	-3	-3	-3	-3	-3
Upper Corner	0	-	-3	0	2	0	0	-3	0	2	0	0	0	-3	0	0	0	0	0	0
Lower Corner	-2	-	-1	0	2	0	-2	-1	0	2	0	-2	-2	-1	0	0	0	0	0	0
H Trapezium	3	-	-3	-3	0	-3	3	-3	0	0	-3	3	-3	-3	-3	-3	-3	-3	-3	-3
Bow	4	-	0	-2	0	-2	4	0	0	0	-2	4	0	0	-2	-2	-2	-2	-2	-2
Angle	2	-	0	0	0	0	2	0	0	0	0	0	2	0	0	0	0	0	0	0
V Position	0	-	0	0	0	0	0	0	0	0	0	0	0	0	0	0	0	0	0	0
CXA Left Blk	50	-	50	50	50	50	50	50	50	50	50	50	50	50	50	50	50	50	50	50
CXA Right Blk	27	-	27	27	27	27	27	27	27	27	27	27	27	27	27	27	27	27	27	27



DVI Offset (480p)

MODEL	SDI CRT 29" FLAT	SDI CRT 29" FLAT	SDI CRT 32" WIDE	SDI CRT 34" FLAT	SDI CRT 28" FLAT	LG CRT 34" FLAT	SDI CRT 29" FLAT	SDI CRT 32" WIDE	SDI CRT 34" FLAT	TSB CRT 34" FLAT
ITEM	TXN2771HF	TXN2745FPX	TXN3071WHF	TXN3271HF TXN3275HF	TXN2670WHF	TXN3234HF	TXN2798HF	TXN3098WHF	TXN3298HF	CL34Z7HEGX CL34Z6HEGX
	TXN2775HF		TXN3075WHF							
	CL29Z7HEGX		CL32Z7HEGX							
	CL29Z6HEGX		CL32Z6HEGX							
V Amp	-	-	-	-	-	-	-2	-2	-3	-
V Shift	-	-	-	-	-	-	-1	-2	-2	-
H EW	-	-	-	-	-	-	-2	-3	0	-
H Shift	-	-	-	-	-	-	3	-5	7	-
CXA Left Blk	-	-	-	-	-	-	28	28	28	-
CXA Right Blk	-	-	-	-	-	-	36	36	36	-



VIDEO ADJUST 1

MODEL ITEM	SDI CRT	SDI CRT	SDI CRT	SDI CRT	SDI CRT	SDI CRT	SDI CRT	SDI CRT	SDI CRT	SDI CRT	SDI CRT	SDI CRT	SDI CRT	SDI CRT	SDI CRT	SDI CRT	SDI CRT	SDI CRT	TSB CRT	
	29" FLAT	29" FLAT	32" WIDE	34" FLAT	28" FLAT	34" FLAT	29" FLAT	34" FLAT	34" FLAT	TXN2771HF TXN2775HF	TXN2745FPX	TXN3071WHF TXN3075WHF	TXN3271HF TXN3275HF	TXN2670WHF	TXN3234HF	TXN2798HF CL.29Z7HEGX CL.29Z8HEGX	TXN3098WHF CL.32Z7HEGX CL.32Z6HEGX	32" WIDE	34" FLAT	34" FLAT
R CutOff	25	25	35	40	28	20	25	35	40									40		40
G CutOff	24	24	24	24	24	24	24	24	24									24		24
B CutOff	25	25	30	32	26	24	25	30	32									30		32
Color On/Off	1	1	1	1	1	1	1	1	1									1		1
CR OffSet	31	31	31	31	31	31	31	31	31									31		31
CB OffSet	31	31	31	31	31	31	31	31	31									31		31
R Drive	32	32	30	32	30	33	32	30	32									30		32
G Drive	32	32	28	24	32	24	32	32	32									28		24
B Drive	32	32	30	32	30	32	32	30	32									30		32
Sub Bright	32	32	17	15	10	15	32	17	32									17		15
Sub Contrast	10	10	10	10	10	10	10	10	10									10		10
Sub Color	18	18	18	18	18	18	18	18	18									15		15
Sub Tint	7	7	7	7	7	7	7	7	7									7		7
CTI Level	1	1	1	1	1	1	1	1	1									1		1
COL Axis	2	2	2	2	2	2	2	2	2									2		2
LTI Level	0	0	0	0	0	2	0	0	0									2		2
LTI Mode	1	1	1	1	1	1	1	1	1									1		1
"T_YSTP02_001" MICOM DISPLAY																				
PC DPIC LEVEL	-	-	-	-	-	-	-	-	-									-		-
PC DC Trans	-	-	-	-	-	-	-	-	-									-		-
PC VM Level	-	-	-	-	-	-	-	-	-									-		-

PC ADJ MODE DISPLAY "SIM-460A4", "T_YSTP02_001" MICOM.



VIDEO ADJUST 2

MODEL	SDI CRT	SDI CRT	SDI CRT	SDI CRT	SDI CRT	SDI CRT	SDI CRT	SDI CRT	SDI CRT	SDI CRT	SDI CRT	SDI CRT	SDI CRT	SDI CRT	SDI CRT	SDI CRT	SDI CRT	SDI CRT	TSB CRT		
	29" FLAT	29" FLAT	32" WIDE	34" FLAT	28" FLAT	34" FLAT	34" FLAT	29" FLAT	32" WIDE	34" FLAT	29" FLAT	32" WIDE	34" FLAT	29" FLAT	32" WIDE	34" FLAT	34" FLAT	34" FLAT	34" FLAT		
ITEM	TXN2771HF TXN2775HF	TXN2745FPX	TXN3071WHF TXN3075WHF	TXN3271HF TXN3275HF	TXN2670WHF	TXN3234HF	TXN2798HF CL29Z7HEGX CL29Z6HEGX	TXN3098WHF CL32Z7HEGX CL32Z6HEGX	TXN3098WHF CL32Z7HEGX CL32Z6HEGX	TXN3234HF	TXN3234HF	TXN3234HF	TXN3234HF	TXN3234HF	TXN3234HF	TXN3234HF	TXN3234HF	TXN3234HF	TXN3234HF	TXN3234HF	TXN3234HF
ABL Mode	3	3	3	3	3	3	3	3	3	3	3	3	3	3	3	3	3	3	3	3	3
Gamma	1	1	1	1	1	1	1	1	1	1	1	1	1	1	1	1	1	1	1	1	1
DPIC Level	3	3	3	3	3	3	3	3	3	3	3	3	3	3	3	3	3	3	3	3	3
DC Trans	2	2	2	2	2	2	2	2	2	2	2	2	2	2	2	2	2	2	2	2	2
ABL TH	7	7	15	15	15	15	7	15	15	15	15	15	15	7	15	15	15	15	15	15	7
VM Level	2	2	2	2	2	2	2	2	2	2	2	2	2	2	2	2	2	2	2	2	2
VM Coring	3	3	3	0	3	0	3	3	3	0	0	3	3	3	3	3	3	3	3	3	0
VM f0	2	2	2	2	2	2	2	2	2	2	2	2	2	2	2	2	2	2	2	2	2
VM Limit	3	3	3	0	3	0	3	3	3	0	0	3	3	3	3	3	3	3	3	3	0
VM Delay	3	3	3	1	3	1	3	3	3	1	1	3	3	3	3	3	3	3	3	3	1
SHP CD	1	1	1	1	1	1	1	1	1	1	1	1	1	1	1	1	1	1	1	1	1
SHP f0	0	0	0	0	0	0	0	0	0	0	0	0	0	0	0	0	0	0	0	0	0
SHP f1 & P/O	11	11	14	14	14	14	11	14	14	14	14	14	14	11	14	14	14	14	14	14	14
AKB Time	16	16	16	16	16	16	16	16	16	16	16	16	16	16	16	16	16	16	16	16	16
YC Delay	30	30	30	30	30	30	30	30	30	30	30	30	30	30	30	30	30	30	30	30	30
PIP YC Delay	3	3	3	3	3	3	3	3	3	3	3	3	3	3	3	3	3	3	3	3	3
Band Pass 9407	2	2	2	1	2	1	2	2	2	1	1	2	2	2	2	2	2	2	2	2	1
High Pass 9407	3	3	3	3	4	3	3	3	3	4	4	3	3	3	3	3	3	3	3	3	3



VIDEO ADJUST 3

MODEL	ITEM													TSB CRT
	SDI CRT 29" FLAT	SDI CRT 29" FLAT	SDI CRT 29" FLAT	SDI CRT 32" WIDE	SDI CRT 34" FLAT	SDI CRT 28" FLAT	LG CRT 34" FLAT	SDI CRT 29" FLAT	SDI CRT 32" WIDE	SDI CRT 34" FLAT	SDI CRT 32" WIDE	SDI CRT 34" FLAT	TSB CRT	
	TXN2771HF TXN2775HF	TXN2745FPX	TXN3071WHF TXN3075WHF	TXN3271HF TXN3275HF	TXN2670WHF	TXN3234HF	TXN2798HF CL2927HEGX CL2926HEGX	TXN3098WHF CL3227HEGX CL3226HEGX	TXN3298HF	CL34Z7HEGX CL34Z6HEGX				
VSU	2	2	2	2	2	2	2	2	2	2	2	2	2	
Melody Volume	4	4	4	4	4	4	4	4	4	4	4	4	4	
H Comp	5	5	8	4	6	8	5	8	4	4	4	4	4	
V Comp	3	3	5	5	5	4	3	5	5	5	5	5	5	
Pin Comp	0	0	0	3	0	7	0	0	0	3	0	3	3	
AFC Comp	0	0	0	0	0	0	0	0	0	0	0	0	0	
Sync Phase	0	0	0	0	0	0	0	0	0	0	0	0	0	
NR Off Value	7	7	7	7	7	7	7	7	7	7	7	7	7	
CR Offset 480p	35	35	35	35	35	35	28	28	28	28	28	28	28	
CB Offset 480p	35	35	35	35	35	35	31	31	31	31	31	31	31	
Sub Color 480p	10	10	10	10	10	10	15	15	15	15	15	15	15	
Sub Tint 480p	15	15	15	15	15	15	28	28	28	28	28	28	28	
CR Offset 1080i	33	33	33	33	33	33	31	31	31	31	31	31	31	
CB Offset 1080i	33	33	33	33	33	33	15	15	15	15	15	15	15	
Sub Color 1080i	15	15	15	15	15	15	10	10	10	10	10	10	10	
Sub Tint 1080i	10	10	10	10	10	10	3	3	3	3	3	3	3	
Video Mute(X 100ms)	3	3	3	3	3	3	-	-	-	-	-	-	-	
PC H Comp	-	-	-	-	-	-	-	-	-	-	-	-	-	
PC V Comp	-	-	-	-	-	-	-	-	-	-	-	-	-	
PC ADJ MODE DISPLAY "SIM-460A4", "T_YSTP02_001" MICOM.														
NO 1080i	0	1	0	0	0	0	0	0	0	0	0	0	0	
	"T_YSTP02_001", "T_YST2US_1001" MICOM DISPLAY													



VIDEO ADJUST DNIe : "T_YSTP02_001" MICOM DISPLAY

MODEL	SDI CRT	SDI CRT	SDI CRT	SDI CRT	SDI CRT	SDI CRT	SDI CRT	SDI CRT	SDI CRT	SDI CRT	SDI CRT	SDI CRT	SDI CRT	SDI CRT	SDI CRT	SDI CRT	TSB CRT		
	29" FLAT	32" WIDE	34" FLAT	28" FLAT	34" FLAT	29" FLAT	34" FLAT	TXN2798HF CL29Z7HEGX CL29Z6HEGX	TXN2670WHF	TXN3234HF	TXN2798HF CL29Z7HEGX CL29Z6HEGX	TXN3098WHF CL32Z7HEGX CL32Z6HEGX	32" WIDE	34" FLAT	34" FLAT	34" FLAT	34" FLAT		
ITEM	TXN2771HF TXN2775HF TXN2745FPX	TXN3071WHF TXN3075WHF	TXN3271HF TXN3275HF	TXN2670WHF	TXN3271HF TXN3275HF	TXN2798HF CL29Z7HEGX CL29Z6HEGX	TXN3098WHF CL32Z7HEGX CL32Z6HEGX	TXN3234HF	TXN2670WHF	TXN3234HF	TXN2798HF CL29Z7HEGX CL29Z6HEGX	TXN3098WHF CL32Z7HEGX CL32Z6HEGX	TXN3098WHF CL32Z7HEGX CL32Z6HEGX	TXN3271HF TXN3275HF	TXN2670WHF	TXN3234HF	TXN2798HF CL29Z7HEGX CL29Z6HEGX	TXN3298HF	
AD9883 R GAIN	0	0	0	0	0	185	185	0	0	0	185	185	185	0	0	185	185	FIX	
AD9883 G GAIN	0	0	0	0	0	185	185	0	0	0	185	185	185	0	0	185	185	FIX	
AD9883 B GAIN	0	0	0	0	0	185	185	0	0	0	185	185	185	0	0	185	185	FIX	
AD9883 R Cutoff	0	0	0	0	0	64	64	0	0	0	64	64	64	0	0	64	64	ADJUST	
AD9883 G Cutoff	0	0	0	0	0	64	64	0	0	0	64	64	64	0	0	64	64	FIX	
AD9883 B Cutoff	0	0	0	0	0	64	64	0	0	0	64	64	64	0	0	64	64	ADJUST	
SNI OVG H	0	0	0	0	0	20 20 20	20 20 20	0	0	0	20 20 20	20 20 20	20 20 20	0	0	20 20 20	20 20 20	FIX	
SNI OVG V	0	0	0	0	0	2 10 20	2 10 20	0	0	0	2 10 20	2 10 20	2 10 20	0	0	2 10 20	2 10 20	FIX	
SNI HPF	0	0	0	0	0	20 20 30	20 20 30	0	0	0	20 20 30	20 20 30	20 20 30	0	0	20 20 30	20 20 30	FIX	
SNI COR	0	0	0	0	0	3 2 3	2 1 3	0	0	0	3 2 3	2 1 3	2 1 3	0	0	3 2 3	3 2 3	FIX	
SNI CLIP	0	0	0	0	0	15 15 15	15 15 15	0	0	0	15 15 15	15 15 15	15 15 15	0	0	15 15 15	15 15 15	FIX	
SNI LPF/PIF	0	0	0	0	0	1 1 9	1 1 9	0	0	0	1 1 9	1 1 9	1 1 9	0	0	1 1 9	1 1 9	FIX	
-	-	-	-	-	-	RF /DTV/ DEMO	RF /DTV/ DEMO	-	-	-	RF /DTV/ DEMO	RF /DTV/ DEMO	RF /DTV/ DEMO	-	-	RF /DTV/ DEMO	RF /DTV/ DEMO		


VIDEO ADJUST DNle : "T_YSTZUS_1001" MICOM DISPLAY

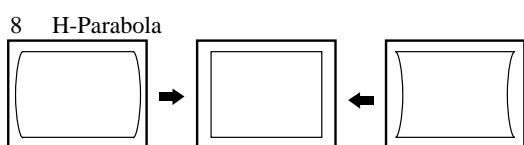
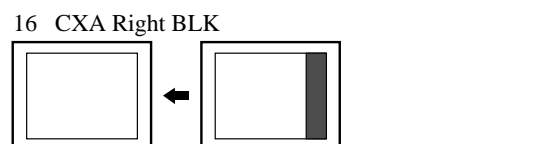
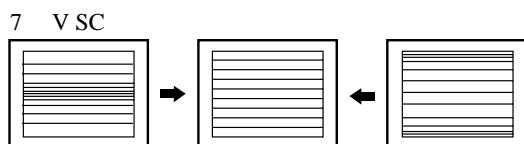
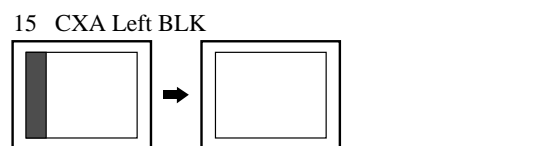
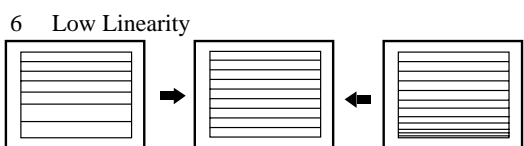
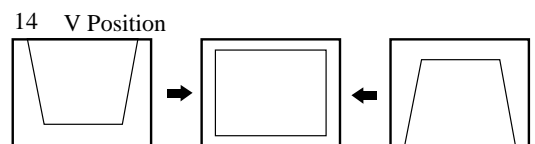
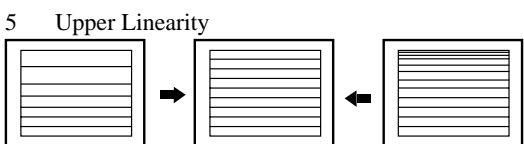
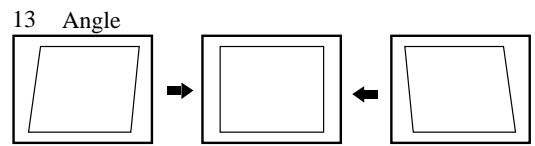
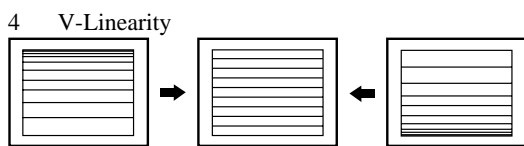
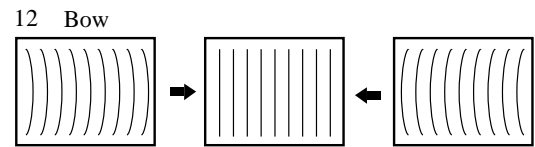
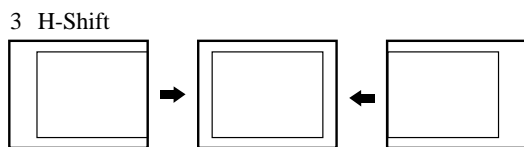
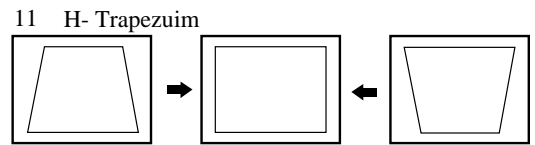
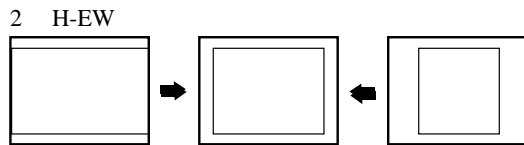
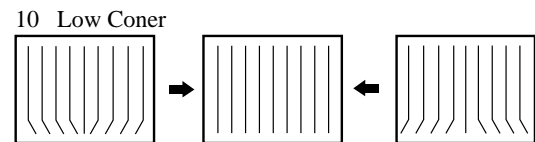
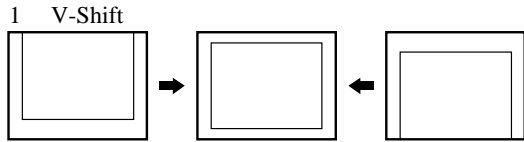
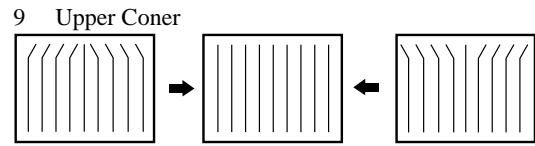
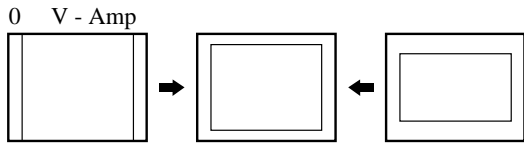
MODEL ITEM	SDI CRT	SDI CRT	SDI CRT	SDI CRT	SDI CRT	SDI CRT	SDI CRT	SDI CRT	SDI CRT	SDI CRT	SDI CRT	SDI CRT	SDI CRT	SDI CRT	SDI CRT	SDI CRT	TSB CRT	
	29" FLAT	32" WIDE	34" FLAT	28" FLAT	34" FLAT	29" FLAT	32" WIDE	34" FLAT	29" FLAT	TXN2798HF CL29Z7HEGX CL29Z6HEGX	TXN3098WHF CL32Z7HEGX CL32Z6HEGX	32" WIDE	34" FLAT	34" FLAT	34" FLAT	34" FLAT	34" FLAT	
9883 Cr Offset	0	0	0	0	0	0	0	0	0	0	0	64	64	64	64	64	64	ADJUST
9883 Y Off set	0	0	0	0	0	0	0	0	0	0	0	64	64	64	64	64	64	FIX
9883 Cb Offset	0	0	0	0	0	0	0	0	0	0	0	64	64	64	64	64	64	ADJUST
NR Scale Max	0	0	0	0	0	0	0	0	0	48	48	48	48	48	48	48	48	FIX
NR Scale Min	0	0	0	0	0	0	0	0	0	16	16	16	16	16	16	16	16	FIX
NR Sel	0	0	0	0	0	0	0	0	0	2	2	2	2	2	2	2	2	FIX
CE Cut off	0	0	0	0	0	0	0	0	0	32	32	32	32	32	32	32	32	FIX
CE Upper	0	0	0	0	0	0	0	0	0	220	220	220	220	220	220	220	220	FIX
CE Alpha low	0	0	0	0	0	0	0	0	0	42	42	42	42	42	42	42	42	FIX
CE Alpha high	0	0	0	0	0	0	0	0	0	32	32	32	32	32	32	32	32	FIX
DCE Gain	0	0	0	0	0	0	0	0	0	32	76	50	76	32	76	32	76	FIX
CTI Gain	0	0	0	0	0	0	0	0	0	0	15	0	15	0	15	0	15	FIX
DEP TH Cor	0	0	0	0	0	0	0	0	0	1	1	1	1	1	1	1	1	FIX
DEP OV Gain	0	0	0	0	0	0	0	0	0	127	127	127	127	127	127	127	127	FIX
DEP R INT	0	0	0	0	0	0	0	0	0	32	100	32	100	68	100	32	100	FIX
CTE Gain	0	0	0	0	0	0	0	0	0	68	68	68	68	68	68	68	68	FIX
2150 system	0	0	0	0	0	0	0	0	0	2	2	2	2	2	2	2	2	FIX
-	-	-	-	-	-	-	-	-	-	RF	DTV	RF	DTV	RF	DTV	RF	DTV	FIX



MODEL ITEM	SDI CRT 29" FLAT TXN2771HF TXN2775HF TXN2745FPX	SDI CRT 32" WIDE TXN3071WHF TXN3075WHF	SDI CRT 34" FLAT TXN3271HF TXN3275HF	SDI CRT 28" FLAT TXN2670WHF	LG CRT 34" FLAT TXN3234HF	SDI CRT 29" FLAT TXN2798HF	SDI CRT 32" WIDE TXN3098WHF	SDI CRT 34" FLAT TXN3298HF	SDI CRT 29" FLAT CL2927HEGX	SDI CRT 29" FLAT CL2926HEGX	SDI CRT 32" WIDE CL32ZHEGX	SDI CRT 32" WIDE CL32Z8HEGX	TSB CRT 34" FLAT CL3427HEGX	TSB CRT 34" FLAT CL3426HEGX
1. CRT	4:3	WIDE	4:3	WIDE	4:3	4:3	WIDE	4:3	4:3	4:3	WIDE	WIDE	4:3	4:3
2. PIP (D/W)	OFF	OFF	OFF	OFF	OFF	ON	ON	ON	ON	ON	ON	ON	ON	ON
3. 3D-COMB Filter	OFF	OFF	OFF	OFF	OFF	ON	ON	ON	ON	ON	ON	ON	ON	ON
4. Blue Screen	ON	ON	ON	ON	ON	ON	ON	ON	ON	ON	ON	ON	ON	ON
5. BBE Effect	OFF	OFF	OFF	OFF	OFF	ON	ON	ON	ON	ON	ON	ON	ON	ON
6. Equalizer	ON	ON	ON	ON	ON	ON	ON	ON	ON	ON	ON	ON	ON	ON
7. Auto Power On	OFF	OFF	OFF	OFF	OFF	OFF	OFF	OFF	OFF	OFF	OFF	OFF	OFF	OFF
8. System	CT(E+S+F)	CT(E+S+F)	CT(E+S+F)	CT(E+S+F)	CT(E+S+F)	CT(E+S+F)	CT(E+S+F)	CT(E+S+F)	CT(E+S+F)	CT(E+S+F)	CT(E+S+F)	CT(E+S+F)	CT(E+S+F)	CT(E+S+F)
9. Virtual Dolby	OFF	OFF	OFF	OFF	OFF	OFF	OFF	OFF	OFF	OFF	OFF	OFF	OFF	OFF
10. ACS	ON	ON	ON	ON	ON	ON	ON	ON	ON	ON	ON	ON	ON	ON
11. V Chip	ON	ON	ON	ON	ON	ON	ON	ON	ON	ON	ON	ON	ON	ON
12. V Chip Area	USA	USA	USA	USA	USA	USA	USA	USA	USA	USA	USA	USA	USA	USA
MODEL NAME/XAC : USA + CANADA														
13. SUB Woofer	OFF	OFF	OFF	OFF	OFF	ON	ON	ON	ON	OFF	ON	OFF	ON	OFF
14. No Sync Mute	ON	ON	ON	ON	ON	ON	ON	ON	ON	ON	ON	ON	ON	ON
15. X-Ray	ON	ON	ON	ON	ON	ON	ON	ON	ON	OFF	OFF	OFF	OFF	OFF
16. AGC	OFF	OFF	OFF	OFF	OFF	OFF	OFF	OFF	OFF	OFF	OFF	OFF	OFF	OFF
17. Turbo Effect	ON	ON	ON	ON	ON	ON	ON	ON	ON	OFF	OFF	OFF	OFF	OFF
18. Burst Screen	ON	ON	ON	ON	ON	ON	ON	ON	ON	ON	ON	ON	ON	ON
19. LNA Option	OFF	OFF	OFF	OFF	OFF	ON	ON	ON	ON	ON	ON	ON	ON	ON
20. DVI Input	OFF	OFF	OFF	OFF	OFF	ON	ON	ON	ON	ON	ON	ON	ON	ON
21. DNle Option	OFF	OFF	OFF	OFF	OFF	ON/DEMO	ON/DEMO	ON/DEMO	ON/DEMO	ON/DEMO	ON/DEMO	ON/DEMO	ON/DEMO	ON/DEMO

"T_YSTP02_001", "T_YST2US_1001" MICOM DISPLAY

4-8 Screen Change (I2C Bus Geometric Adjustment)

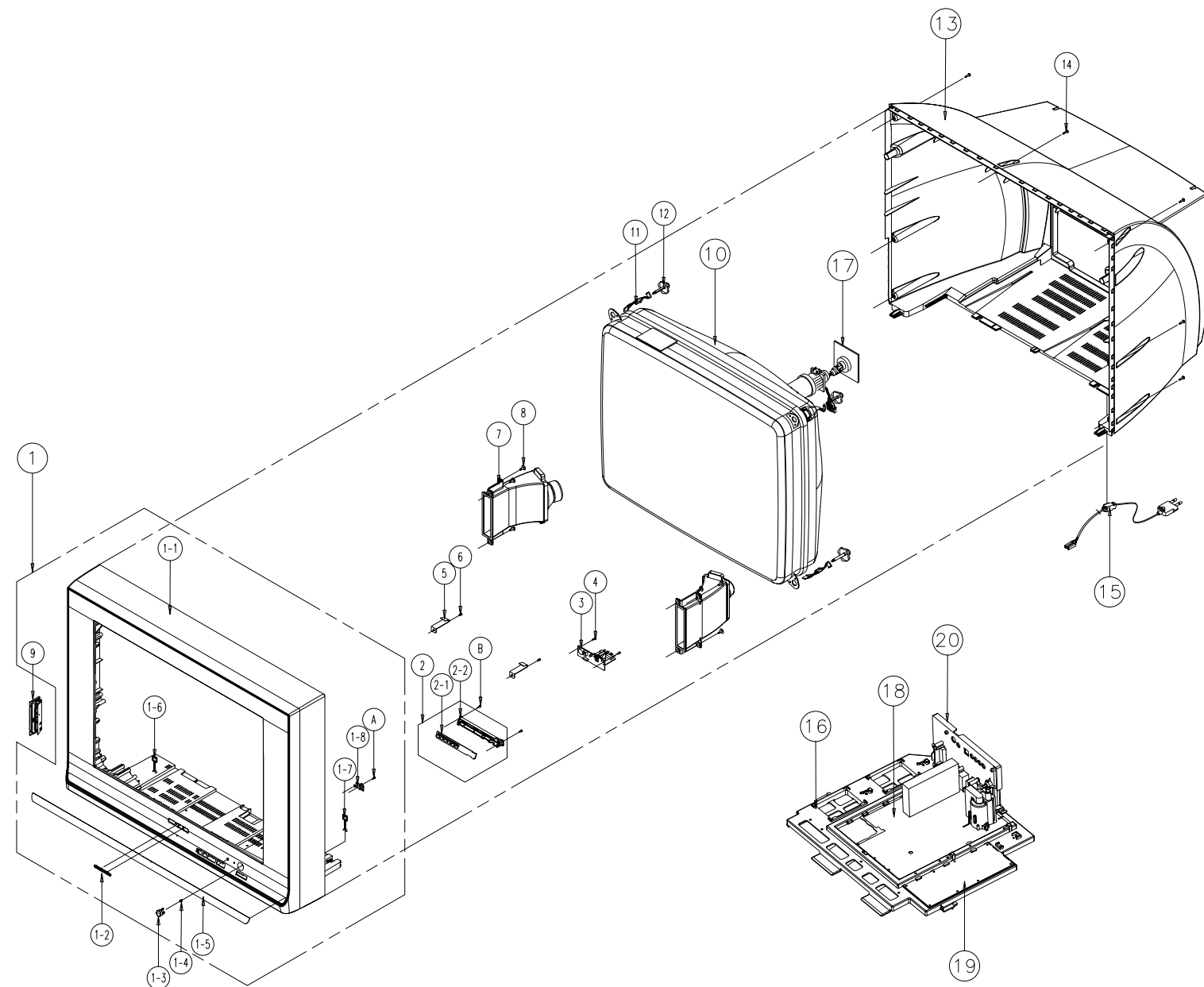


MEMO

5. Exploded View & Parts List

5-1 TXN2771HFX/XAA

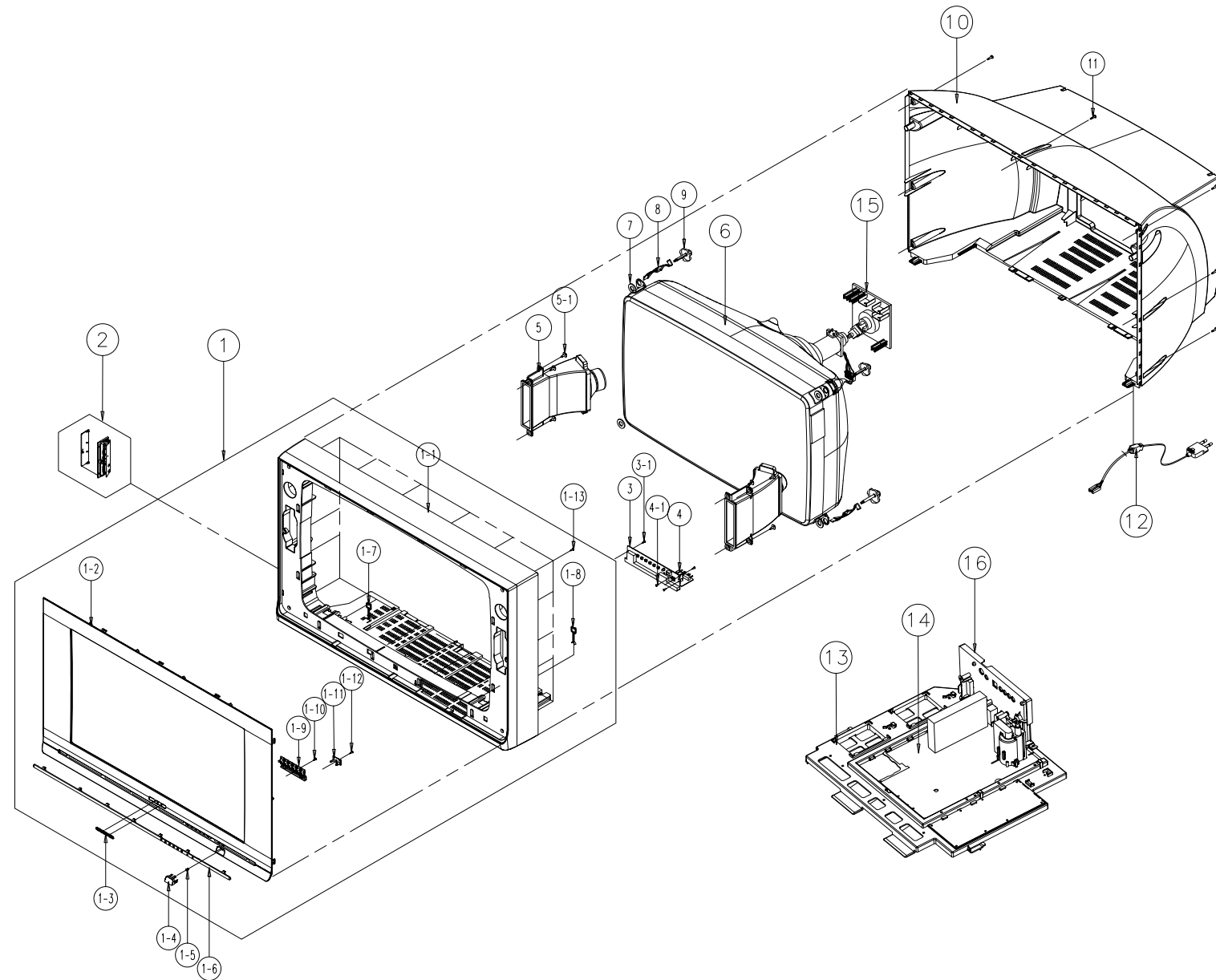
You can search for the updated part code through ITSELF web site.
URL : <http://itself.sec.samsung.co.kr>



No	Code No	Description;Specification	Q'ty	Remark
1	AA96-01472A	ASSY COVER P-FRONT;29A10,ABS HB,W91499	1	FC
1-1	AA64-03375A	CABINET-FRONT;S29A10,HIPS	1	CF
1-2	AA64-70117B	BADGE-BRAND;-AL,-,L65,R2000,SILVER,SS	1	BADGE
1-3	AA64-03343A	KNOB-POWER;32A10,ABS,HB,G3676,SVM3012	1	KP
1-4	AA61-60003J	SPRING ETC-CS;-SUS304,-,OD6,N7,OD6,-,	1	SPRING
1-5	AA64-03381A	INLAY-DECORATION;S29A10,PVC SHEET,T0.5	1	ID
1-6	AA65-00011C	CLAMP-WIRE;ALL MODEL,NYLON 66,V2,NTR,25M	1	CWFC
1-7	AA65-30105A	CLAMP-WIRE;NYLON 66N,VO,NTR,15MM	1	CWFC
1-8	AA64-03337A	WINDOW-RMC,LED;32A10,A11,PC,CLR	1	WR
A	6003-001019	SCREW-TAPTITE;RH,+,B,M4,L12,ZPC(BLK),SWR	1	WRL+CF
2	AA96-01462A	ASSY BOARD P-FUNCTION;CT-29A10HR,FUNCTIO	1	T/PAD
3	AA96-01503A	ASSY PCB P-TACT S/W;TXN2771HF,K55A	1	APTS
4	6003-001019	SCREW-TAPTITE;RH,+,B,M4,L12,ZPC(BLK),SWR	2	HPC+CF
5	AA61-10054A	BRACKET-CRATER;-ST304,-,T0.5	2	BRK
6	6002-000522	SCREW-TAPPING;TH,+,2,M4,L15,ZP	2	BKC+CF
7	AA91-00507A	ASSY HOLDER SPK;-80HM/15W,-,ASSY HOLD	1	AHS
8	6006-001095	SCREW-ASSY TAPT;WP,BH,+,M4,L12,ZPC(YEL)	4	AHS+CF
9	AA96-01502A	ASSY PCB P-SIDE A/V;TXM2771HFX,K55A	1	APAV
10	AA91-02173Q	ASSY CPT;A68QCP891X004,29,+380MG,ITC,CT	1	A/CPT
11	AA65-30017A	CLAMP-D,COIL;-NYLON-66,VO,NTR,DADH300,2	2	CDCOIL
12	AA60-10050V	SCREW-ASSY;WC,HH,+,M6,L30,SWRCH18A,ZPC(S	4	CRT+CF
13	AA64-03378A	CABINET BACK;S29A10,HIPS	1	BC
14	AA60-10050T	SCREW-TAPPING;RH,+,2S,M4,L20,ZPC(BLK),SW	7	CB+CF
15	AA96-00156F	ASSY POWER CORD;EP2/YES(US),H/S 300mm,KJ	1	PWR/AC
16	AA61-01235A	HOLDER-CHASSIS;DP Z7,AA61-01190A	1	HC
17	AA96-01501A	ASSY PCB P;CRT,TXN2771HF,K55A	1	A/CRT
18	AA94-12670A	ASSY PCB MAIN;TXN2771HFX/XAA,K55A	1	A/MAIN
19	AA96-00974A	ASSY MISC P-DYNAMIC FOCUS;TXM3297,2797,K	1	A/DF
20	AA96-01519A	ASSY COVER P-TERMINAL BOARD;DP AA96-0141	1	TBA

5-2 TXN2670WHFXXAA

You can search for the updated part code through ITSELF web site.
 URL : <http://itself.sec.samsung.co.kr>



No	Code No	Description;Specification	Q'ty	Remark
1	AA96-01458A	ASSY COVER P-FRONT;DP 28A11,HIPS V0,G430	1	FC
1-1	AA64-03366A	CABINET-FRONT;28A11,HIPS,V0	1	CF
1-2	AA64-03368A	CABINET-MASK;28A11,HIPS,V0	1	CMASK
1-3	AA64-01062B	BADGE BRAND;32Z5,AL FORGING,-,L65,-,SI	1	BADGE
1-4	AA64-03345A	KNOB-POWER;32A11,ABS,HB,G4309,SVM3012	1	KP
1-5	AA61-60003J	SPRING ETC-CS,-,SUS304,-,OD6,N7,OD6,-,	1	SPRING
1-6	AA63-00660A	COVER-DECORATION;28A11,ABS,HB,WHITE	1	CD
1-7	AA65-00011C	CLAMP-WIRE;ALL MODEL,NYLON 66,V2,NTR,25M	1	CWRF
1-8	AA65-30105A	CLAMP-WIRE;NYLON 66N,VO,NTR,15MM	1	CWRF
1-9	AA64-03648A	KNOB CONTROL;DP 28A11,AA64-03344A	1	KC
1-10	6003-001019	SCREW-TAPTITE;RH,+,B,M4,L12,ZPC(BLK),SWR	2	KC+CM
1-11	AA64-03338A	WINDOW-RMC,LED;32A11,PC,CLR	1	WR
1-12	6003-001019	SCREW-TAPTITE;RH,+,B,M4,L12,ZPC(BLK),SWR	1	WIN+CM
1-13	6003-001019	SCREW-TAPTITE;RH,+,B,M4,L12,ZPC(BLK),SWR	18	CF+CM
2	AA96-01365F	ASSY COVER P-HOLDER AV;ABS HB,G4309,SV01	1	A/CAV
2	AA96-01502A	ASSY PCB P-SIDE A/V;TXM2771HFX,K55A	1	APAV
3	AA96-01509A	ASSY PCB P-CONTROL;TXN2670WHF,K55A	1	APC
3-1	6003-001019	SCREW-TAPTITE;RH,+,B,M4,L12,ZPC(BLK),SWR	4	PCB+CF
5	AA96-01461B	ASSY SPEAKER P;8ohm,28A11,10W,Semidome S	1	A/HSPK
5-1	6006-001095	SCREW-ASS'Y TAPT;WP,BH,+,M4,L12,ZPC(YEL)	4	SPK+CF
6	AA91-05992C	ASSY CPT;TXN2670WHFXXAA,K55A,(+400MG+230M	1	A/CPT
7	AA63-60004Y	SPACER-GUM,CRT;NTR RUBBER,T2.0,RED,-,ALL	4	S/GUM
8	AA65-00019A	CLAMP CORE-D,COIL;25-34,NYLON 66,V2,NTR	4	C/DCOI
9	AA60-10050V	SCREW-ASSY;WC,HH,+,M6,L30,SWRCH18A,ZPC(S	4	CRT+CF
10	AA90-04573A	ASSY COVER REAR;TXN2670WHFXXAA	1	A/CREA
11	6003-001026	SCREW-TAPTITE;RH,+,B,M4,L15,ZPC(BLK),SWR	7	CB+CF
12	AA96-00156F	ASSY POWER CORD;EP2/YES(US),H/S 300mm,KJ	1	PWR/AC
13	AA61-01235A	HOLDER-CHASSIS;DP Z7,AA61-01190A	1	HC
14	AA94-12678A	ASSY PCB MAIN;TXN2670WHFXXAA,K55A	1	A/MAIN
15	AA96-01590A	ASSY PCB P-CRT;29A11,K55A	1	A/CRT
16	AA65-00028A	TERMINAL-BOARD,ANT;,DP Z7,AA65-00025A VO	1	TBA

6. Electrical Parts List

6-1 TXN2771HFX/XAA

You can search for the updated part code through ITSELF web site. URL : http://itself.sec.samsung.co.kr

Table with columns: Level, Loc. No., Code No., Description ; Specification, Remark. Main title: ASSY CHASSIS. Lists various electronic components like capacitors, resistors, diodes, and ICs with their respective part numbers and specifications.

Level	Loc. No.	Code No.	Description ; Specification	Remark	Level	Loc. No.	Code No.	Description ; Specification	Remark
...	4	EY408	AA60-40011A EYELET;;ID2.0,OD2.8,-,BST		...	4	EY858	AA60-40011A EYELET;;ID2.0,OD2.8,-,BST	
...	4	EY409	AA60-40011A EYELET;;ID2.0,OD2.8,-,BST		...	4	EY859	AA60-40011A EYELET;;ID2.0,OD2.8,-,BST	
...	4	EY410	AA60-40011A EYELET;;ID2.0,OD2.8,-,BST		...	4	EY864	AA60-40011A EYELET;;ID2.0,OD2.8,-,BST	
...	4	EY411	AA60-40011A EYELET;;ID2.0,OD2.8,-,BST		...	4	EY865	AA60-40011A EYELET;;ID2.0,OD2.8,-,BST	
...	4	EY412	AA60-40011A EYELET;;ID2.0,OD2.8,-,BST		...	4	EY871	AA60-40011A EYELET;;ID2.0,OD2.8,-,BST	
...	4	EY413	AA60-40011A EYELET;;ID2.0,OD2.8,-,BST		...	4	EY872	AA60-40011A EYELET;;ID2.0,OD2.8,-,BST	
...	4	EY414	AA60-40011A EYELET;;ID2.0,OD2.8,-,BST		...	4	EL401	AA60-40011B EYELET;;ID2.2,OD3.2,-,BSP	
...	4	EY415	AA60-40011A EYELET;;ID2.0,OD2.8,-,BST		...	4	EL402	AA60-40011B EYELET;;ID2.2,OD3.2,-,BSP	
...	4	EY418	AA60-40011A EYELET;;ID2.0,OD2.8,-,BST		...	4	EL407	AA60-40011B EYELET;;ID2.2,OD3.2,-,BSP	
...	4	EY419	AA60-40011A EYELET;;ID2.0,OD2.8,-,BST		...	4	EL408	AA60-40011B EYELET;;ID2.2,OD3.2,-,BSP	
...	4	EY420	AA60-40011A EYELET;;ID2.0,OD2.8,-,BST		...	4	EL801	AA60-40011B EYELET;;ID2.2,OD3.2,-,BSP	
...	4	EY421	AA60-40011A EYELET;;ID2.0,OD2.8,-,BST		...	4	EL802	AA60-40011B EYELET;;ID2.2,OD3.2,-,BSP	
...	4	EY422	AA60-40011A EYELET;;ID2.0,OD2.8,-,BST		...	4	EL805	AA60-40011B EYELET;;ID2.2,OD3.2,-,BSP	
...	4	EY423	AA60-40011A EYELET;;ID2.0,OD2.8,-,BST		...	4	EL807	AA60-40011B EYELET;;ID2.2,OD3.2,-,BSP	
...	4	EY424	AA60-40011A EYELET;;ID2.0,OD2.8,-,BST		...	4	EL808	AA60-40011B EYELET;;ID2.2,OD3.2,-,BSP	
...	4	EY426	AA60-40011A EYELET;;ID2.0,OD2.8,-,BST		...	4	EL806	AA60-40011B EYELET;;ID2.2,OD3.2,-,BSP	
...	4	EY429	AA60-40011A EYELET;;ID2.0,OD2.8,-,BST		...	4	GT102	AA60-40014A PIN-GT,ASSY;1P,-,AUTO	
...	4	EY430	AA60-40011A EYELET;;ID2.0,OD2.8,-,BST		...	4	GT301	AA60-40014A PIN-GT,ASSY;1P,-,AUTO	
...	4	EY431	AA60-40011A EYELET;;ID2.0,OD2.8,-,BST		...	4	GT302	AA60-40014A PIN-GT,ASSY;1P,-,AUTO	
...	4	EY432	AA60-40011A EYELET;;ID2.0,OD2.8,-,BST		...	4	GT401	AA60-40014A PIN-GT,ASSY;1P,-,AUTO	
...	4	EY433	AA60-40011A EYELET;;ID2.0,OD2.8,-,BST		...	4	GT402	AA60-40014A PIN-GT,ASSY;1P,-,AUTO	
...	4	EY434	AA60-40011A EYELET;;ID2.0,OD2.8,-,BST		...	4	GT404	AA60-40014A PIN-GT,ASSY;1P,-,AUTO	
...	4	EY435	AA60-40011A EYELET;;ID2.0,OD2.8,-,BST		...	4	GT405	AA60-40014A PIN-GT,ASSY;1P,-,AUTO	
...	4	EY436	AA60-40011A EYELET;;ID2.0,OD2.8,-,BST		...	4	GT406	AA60-40014A PIN-GT,ASSY;1P,-,AUTO	
...	4	EY437	AA60-40011A EYELET;;ID2.0,OD2.8,-,BST		...	4	GT409	AA60-40014A PIN-GT,ASSY;1P,-,AUTO	
...	4	EY439	AA60-40011A EYELET;;ID2.0,OD2.8,-,BST		...	4	GT410	AA60-40014A PIN-GT,ASSY;1P,-,AUTO	
...	4	EY441	AA60-40011A EYELET;;ID2.0,OD2.8,-,BST		...	4	GT411	AA60-40014A PIN-GT,ASSY;1P,-,AUTO	
...	4	EY446	AA60-40011A EYELET;;ID2.0,OD2.8,-,BST		...	4	GT412	AA60-40014A PIN-GT,ASSY;1P,-,AUTO	
...	4	EY447	AA60-40011A EYELET;;ID2.0,OD2.8,-,BST		...	4	GT801	AA60-40014A PIN-GT,ASSY;1P,-,AUTO	
...	4	EY603	AA60-40011A EYELET;;ID2.0,OD2.8,-,BST		...	4	GT802	AA60-40014A PIN-GT,ASSY;1P,-,AUTO	
...	4	EY604	AA60-40011A EYELET;;ID2.0,OD2.8,-,BST		...	4	GT803	AA60-40014A PIN-GT,ASSY;1P,-,AUTO	
...	4	EY701	AA60-40011A EYELET;;ID2.0,OD2.8,-,BST		...	4	GT804	AA60-40014A PIN-GT,ASSY;1P,-,AUTO	
...	4	EY702	AA60-40011A EYELET;;ID2.0,OD2.8,-,BST		...	4	GT805	AA60-40014A PIN-GT,ASSY;1P,-,AUTO	
...	4	EY703	AA60-40011A EYELET;;ID2.0,OD2.8,-,BST		...	4	GT806	AA60-40014A PIN-GT,ASSY;1P,-,AUTO	
...	4	EY704	AA60-40011A EYELET;;ID2.0,OD2.8,-,BST		...	4	DZR01S	0403-001321 DIODE-ZENER;MTZJ6.8C,6.66-7.01V,500mW,DO	
...	4	EY705	AA60-40011A EYELET;;ID2.0,OD2.8,-,BST		...	4	QR01S	0501-000283 TRANSISTOR;KSA539-Y(TAPG)/YTAM	
...	4	EY706	AA60-40011A EYELET;;ID2.0,OD2.8,-,BST		...	4	RR04S	2001-000908 R-CARBON ;62Kohm,5%,1/8W,AA,TP,1.8x3.2mm	
...	4	EY801	AA60-40011A EYELET;;ID2.0,OD2.8,-,BST		...	4	RR06S	2001-000977 R-CARBON;8.2Kohm,5%,1/8W,AA,TP,1.8x3.2m	
...	4	EY802	AA60-40011A EYELET;;ID2.0,OD2.8,-,BST		...	4	RR05S	2001-001103 R-CARBON(S);20KOHM,5%,1/2W,AA,TP,2.4X6.4	
...	4	EY803	AA60-40011A EYELET;;ID2.0,OD2.8,-,BST		...	4	RR02S	2001-001149 R-CARBON(S);43KOHM,5%,1/2W,AA,	
...	4	EY804	AA60-40011A EYELET;;ID2.0,OD2.8,-,BST		...	4	RR03S	2004-001897 R-METAL(S);43.2KOHM,1%,1/2W,AA	
...	4	EY805	AA60-40011A EYELET;;ID2.0,OD2.8,-,BST		...	4	RR07S	2004-004029 R-METAL(S);10Kohm,1%,1/2W,AA,TP,2.5x6.5m	
...	4	EY806	AA60-40011A EYELET;;ID2.0,OD2.8,-,BST		...	4	RR01S	2008-000264 R-FUSIBLE(S);10OHM,5%,1W,AF,TP,	
...	4	EY809	AA60-40011A EYELET;;ID2.0,OD2.8,-,BST		...	4	CR04S	2305-000412 C-FILM,MPEF;470NF,5%,63V,-,5MM	
...	4	EY810	AA60-40011A EYELET;;ID2.0,OD2.8,-,BST		...	4	L/LINE	AA68-01544A LABEL;LINE,ALL MDL COMMON	
...	4	EY812	AA60-40011A EYELET;;ID2.0,OD2.8,-,BST		...	4	C650	2401-001192 C-AL;33UF,20%,50V,GP,6X11MM,5MM,TP	
...	4	EY813	AA60-40011A EYELET;;ID2.0,OD2.8,-,BST		...	4	C824	2401-003028 C-AL;100UF,20%,25V,WT,TP,6.3X1	
...	4	EY814	AA60-40011A EYELET;;ID2.0,OD2.8,-,BST		...	4	C904	2401-000471 C-AL;10UF,20%,50V,BP,6X11MM,5M	
...	4	EY815	AA60-40011A EYELET;;ID2.0,OD2.8,-,BST		...	4	R824	2001-000319 R-CARBON;120KOHM,5%,1/8W,AA,TP,1.8X3.2M	
...	4	EY816	AA60-40011A EYELET;;ID2.0,OD2.8,-,BST		...	2	CBLK+H	6003-000333 SCREW-TAPTITE;RH,+2S,M3,L10,ZPC(YEL),SW	
...	4	EY817	AA60-40011A EYELET;;ID2.0,OD2.8,-,BST		...	2	DF0+HC	6003-000333 SCREW-TAPTITE;RH,+2S,M3,L10,ZPC(YEL),SW	
...	4	EY820	AA60-40011A EYELET;;ID2.0,OD2.8,-,BST		...	2	PMAIN+	6003-000333 SCREW-TAPTITE;RH,+2S,M3,L10,ZPC(YEL),SW	
...	4	EY824	AA60-40011A EYELET;;ID2.0,OD2.8,-,BST		...	2	APS+HC	6003-000333 SCREW-TAPTITE;RH,+2S,M3,L10,ZPC(YEL),SW	
...	4	EY828	AA60-40011A EYELET;;ID2.0,OD2.8,-,BST		...	2	TBA+HC	6006-001095 SCREW-ASSY TAPT;WPBH,+M4,L12,ZPC(YEL)	
...	4	EY829	AA60-40011A EYELET;;ID2.0,OD2.8,-,BST		...	2	HC	AA61-01235A HOLDER-CHASSIS;DP Z7,AA61-01190A	
...	4	EY830	AA60-40011A EYELET;;ID2.0,OD2.8,-,BST		...	2	CWHC	AA65-00011B CLAMP-WIRE;ALL MODEL,NYLON 66,Y2,NTR,15M	
...	4	EY831	AA60-40011A EYELET;;ID2.0,OD2.8,-,BST		...	2	DRES1	AA65-30018A CLAMP-WIRE;NYLON6.6,-,DATL	
...	4	EY832	AA60-40011A EYELET;;ID2.0,OD2.8,-,BST		...	2	A/DF	AA96-00974A ASSY MISC P-DYNAMIC FOCUS;TXM3297,2797,K	
...	4	EY835	AA60-40011A EYELET;;ID2.0,OD2.8,-,BST		...	3	LH01	AA26-90002C TRANS-DUMMY;-3.5MH,EER2834,13	
...	4	EY836	AA60-40011A EYELET;;ID2.0,OD2.8,-,BST		...	3	LH02	AA27-40003L COIL-HORIZ,WIDTH;-1.0mH,DR14x20,2UEW0.4	
...	4	EY837	AA60-40011A EYELET;;ID2.0,OD2.8,-,BST		...	3	WIRE3	AA39-20061C LEAD CONNECTOR-ASSY;3PYFH800-03,S,Z00,	
...	4	EY839	AA60-40011A EYELET;;ID2.0,OD2.8,-,BST		...	3	JH01	3812-000219 JUMPER-WIRE-SO,COPPER;TA0.6SN/52M/MJA	
...	4	EY840	AA60-40011A EYELET;;ID2.0,OD2.8,-,BST		...	3	EY01	AA60-40011A EYELET;;ID2.0,OD2.8,-,BST	
...	4	EY841	AA60-40011A EYELET;;ID2.0,OD2.8,-,BST		...	3	EY02	AA60-40011A EYELET;;ID2.0,OD2.8,-,BST	
...	4	EY842	AA60-40011A EYELET;;ID2.0,OD2.8,-,BST		...	3	EY03	AA60-40011A EYELET;;ID2.0,OD2.8,-,BST	
...	4	EY844	AA60-40011A EYELET;;ID2.0,OD2.8,-,BST		...	3	EY04	AA60-40011A EYELET;;ID2.0,OD2.8,-,BST	
...	4	EY845	AA60-40011A EYELET;;ID2.0,OD2.8,-,BST		...	3	EY05	AA60-40011A EYELET;;ID2.0,OD2.8,-,BST	
...	4	EY846	AA60-40011A EYELET;;ID2.0,OD2.8,-,BST		...	3	EY06	AA60-40011A EYELET;;ID2.0,OD2.8,-,BST	
...	4	EY848	AA60-40011A EYELET;;ID2.0,OD2.8,-,BST		...	3	EY07	AA60-40011A EYELET;;ID2.0,OD2.8,-,BST	
...	4	EY850	AA60-40011A EYELET;;ID2.0,OD2.8,-,BST		...	3	EY08	AA60-40011A EYELET;;ID2.0,OD2.8,-,BST	
...	4	EY851	AA60-40011A EYELET;;ID2.0,OD2.8,-,BST		...	3	EY09	AA60-40011A EYELET;;ID2.0,OD2.8,-,BST	
...	4	EY853	AA60-40011A EYELET;;ID2.0,OD2.8,-,BST		...	3	EY11	AA60-40011A EYELET;;ID2.0,OD2.8,-,BST	
...	4	EY854	AA60-40011A EYELET;;ID2.0,OD2.8,-,BST		...	3	GTH01	AA60-40014A PIN-GT,ASSY;1P,-,AUTO	
...	4	EY855	AA60-40011A EYELET;;ID2.0,OD2.8,-,BST		...	3	GTH02	AA60-40014A PIN-GT,ASSY;1P,-,AUTO	
...	4	EY856	AA60-40011A EYELET;;ID2.0,OD2.8,-,BST		...	3	GTH03	AA60-40014A PIN-GT,ASSY;1P,-,AUTO	
...	4	EY857	AA60-40011A EYELET;;ID2.0,OD2.8,-,BST		...	3	RH28	2008-001113 R-FUSIBLE(S);0.22ohm,10%,2W,AG,TP,3.9x12	

Level	Loc. No.	Code No.	Description ; Specification	Remark	Level	Loc. No.	Code No.	Description ; Specification	Remark
-------	----------	----------	-----------------------------	--------	-------	----------	----------	-----------------------------	--------

ASSY COVER REAR

1	A/CREA	AA90-04550B	ASSY COVER REAR;TXN2771HFX/XAA,SAMEX	
..2	BC	AA64-03378A	CABINET BACK;S29A10,HIPS	
..2	SPACER	AA60-00091J	SPACER-FELT;-FELT,330X10,-,-,BLK,TO.5,-	
..2	AC+BC	AA65-30008A	CLAMP-CORD;-PE,HB,BLK,-,-	
..2	TB+RCA	AA60-10050T	SCREW-TAPPING;RH,+2S,M4,L20,ZPC(BLK),SW	
..2	CB+TBA	AA60-10050T	SCREW-TAPPING;RH,+2S,M4,L20,ZPC(BLK),SW	
..2	CB+CF	AA60-10050T	SCREW-TAPPING;RH,+2S,M4,L20,ZPC(BLK),SW	
..2	F/BOX	AA65-30018A	CLAMP-WIRE;-NYLON6.6,-,-,DATL	
..2	FBT	AA65-30018A	CLAMP-WIRE;-NYLON6.6,-,-,DATL	
..2	ADH-SI	0201-001059	ADHESIVE-SILICON;B#9590,CARTRIGE	
..2	L/DHHS	AA68-50394T	LABEL-D,H.H.S;TSK2792FX/XAA,A/P120(G),-	
..2	L/STAR	AA68-01557A	LABEL ENERGY;STAR,STATIC FREE FILM	
..2	L/RAT	AA68-02692A	LABEL RATING;WHITE-PAPER,60X90MM,SEA/SEC	
..2	TBA	AA96-01519A	ASSY COVER P-TERMINAL BOARD;DP AA96-0141	
..2	INL/TB	AA64-03410C	INLAY-TERMINAL;29A10,PS,SHEET,TO.5,-,BLK	

ASSY P/MATERIAL

1	A/PMAT	AA92-07643A	ASSY P/MATERIAL;29A10,...	
..2	BOX	0203-001295	TAPE-OPP MASKING;1242,TO.06,W100,L91.4M,	
..2	STAPLE	AA60-40006A	PIN-STAPLE;-,-,-,H18,33X17.8X2	
..2	C/SET	AA69-02047A	CUSHION-SET;29A10,PS FOAMED,C=0.02	
..2	PE-BAG	AA69-01209A	BAG;SHEET,25-27,W54,L60,FOAM,OEM.	

ASSY BOX

1	A/BOX	AA92-07640B	ASSY BOX;TXN2771HFX/XAA	
..2	PCK	AA69-02140A	PACKING CASE;29A10(SAMEX),D-4 AB,A1,,825	
..2	L/BOX	AA68-01542A	LABEL;(UNIBOX),PAPER WHT ALLMD	

ASSY ACCESSORY

1	A/ACCS	AA92-07547G	ASSY ACCESSORY;TXN2771HFX/XAA,K55A	
..2	BATT	4301-000120	BATTERY-MN;1.5V,-,AA	
..2	RMT	AA59-00251B	REMOCON;TMS8,YOUNG STAR,41,SS,G6671B,MBR	
..2	W/CARD	AA68-01433A	CARD WARRANTY;TV/TVCR,ALL,W/P100(G),B5,	
..2	B/WARR	AA68-01561A	CARD WARRANTY;BLOCK,STATEMENT ONLY,SEA/S	
..2	C/REG	AA68-01969A	CARD;REGISTRATION PRODUCT,W/P120(G),SEA	
..2	I/B	AA68-02723A	MANUAL USERS;CT-29A10,,ENG,,W/P100G,.,K	
..2	BAG-PE	AA69-01195A	BAG PE;CL29A6W8X,HDPETO.012,93/4X151	
..2	AC-TAP	0203-001279	TAPE-OPP MASKING;#232,TO.14,W15,L50000,Y	
..2	C/RCA	AA39-40001B	PATCH-CORD;3P-3P1500MMRED,WHT,YEL,500	

6-2 TXN2771HFX/XAC(TXN2771HFX/XAA and TXN2771HFX/XAC Dissimilar parts)

Table with columns: Level, Loc. No., Code No., Description ; Specification, Remark. Includes sections for ASSY CHASSIS, ASSY CPT, and ASSY COVER FRONT.

Table with columns: Level, Loc. No., Code No., Description ; Specification, Remark. Continuation of parts list, including PCB-LED, SPACER, CLAMP, etc.

ASSY COVER REAR

Table with columns: Level, Loc. No., Code No., Description ; Specification, Remark. Includes parts like ASSY COVER REAR, CABINET BACK, SPACER, etc.

ASSY P/MATERIAL

Table with columns: Level, Loc. No., Code No., Description ; Specification, Remark. Includes ASSY P/MATERIAL.

ASSY BOX

Table with columns: Level, Loc. No., Code No., Description ; Specification, Remark. Includes ASSY BOX.

ASSY ACCESSORY

Table with columns: Level, Loc. No., Code No., Description ; Specification, Remark. Includes ASSY ACCESSORY, BATTERY, CARD WARRANTY, etc.

Electrical Parts List

Level	Loc. No.	Code No.	Description ; Specification	Remark	Level	Loc. No.	Code No.	Description ; Specification	Remark	
...	4	EY420	AA60-40011A	EYELET;-ID2.0,OD2.8,-,BST		...	4	EL801	AA60-40011B	EYELET;-ID2.2,OD3.2,-,BSP
...	4	EY421	AA60-40011A	EYELET;-ID2.0,OD2.8,-,BST		...	4	EL802	AA60-40011B	EYELET;-ID2.2,OD3.2,-,BSP
...	4	EY422	AA60-40011A	EYELET;-ID2.0,OD2.8,-,BST		...	4	EL805	AA60-40011B	EYELET;-ID2.2,OD3.2,-,BSP
...	4	EY423	AA60-40011A	EYELET;-ID2.0,OD2.8,-,BST		...	4	EL807	AA60-40011B	EYELET;-ID2.2,OD3.2,-,BSP
...	4	EY424	AA60-40011A	EYELET;-ID2.0,OD2.8,-,BST		...	4	EL808	AA60-40011B	EYELET;-ID2.2,OD3.2,-,BSP
...	4	EY426	AA60-40011A	EYELET;-ID2.0,OD2.8,-,BST		...	4	EL806	AA60-40011B	EYELET;-ID2.2,OD3.2,-,BSP
...	4	EY429	AA60-40011A	EYELET;-ID2.0,OD2.8,-,BST		...	4	GT102	AA60-40014A	PIN-GT,ASSY;1P,-,AUTO
...	4	EY430	AA60-40011A	EYELET;-ID2.0,OD2.8,-,BST		...	4	GT301	AA60-40014A	PIN-GT,ASSY;1P,-,AUTO
...	4	EY431	AA60-40011A	EYELET;-ID2.0,OD2.8,-,BST		...	4	GT302	AA60-40014A	PIN-GT,ASSY;1P,-,AUTO
...	4	EY432	AA60-40011A	EYELET;-ID2.0,OD2.8,-,BST		...	4	GT401	AA60-40014A	PIN-GT,ASSY;1P,-,AUTO
...	4	EY433	AA60-40011A	EYELET;-ID2.0,OD2.8,-,BST		...	4	GT402	AA60-40014A	PIN-GT,ASSY;1P,-,AUTO
...	4	EY434	AA60-40011A	EYELET;-ID2.0,OD2.8,-,BST		...	4	GT404	AA60-40014A	PIN-GT,ASSY;1P,-,AUTO
...	4	EY435	AA60-40011A	EYELET;-ID2.0,OD2.8,-,BST		...	4	GT405	AA60-40014A	PIN-GT,ASSY;1P,-,AUTO
...	4	EY436	AA60-40011A	EYELET;-ID2.0,OD2.8,-,BST		...	4	GT406	AA60-40014A	PIN-GT,ASSY;1P,-,AUTO
...	4	EY437	AA60-40011A	EYELET;-ID2.0,OD2.8,-,BST		...	4	GT409	AA60-40014A	PIN-GT,ASSY;1P,-,AUTO
...	4	EY439	AA60-40011A	EYELET;-ID2.0,OD2.8,-,BST		...	4	GT410	AA60-40014A	PIN-GT,ASSY;1P,-,AUTO
...	4	EY441	AA60-40011A	EYELET;-ID2.0,OD2.8,-,BST		...	4	GT411	AA60-40014A	PIN-GT,ASSY;1P,-,AUTO
...	4	EY446	AA60-40011A	EYELET;-ID2.0,OD2.8,-,BST		...	4	GT412	AA60-40014A	PIN-GT,ASSY;1P,-,AUTO
...	4	EY447	AA60-40011A	EYELET;-ID2.0,OD2.8,-,BST		...	4	GT801	AA60-40014A	PIN-GT,ASSY;1P,-,AUTO
...	4	EY603	AA60-40011A	EYELET;-ID2.0,OD2.8,-,BST		...	4	GT802	AA60-40014A	PIN-GT,ASSY;1P,-,AUTO
...	4	EY604	AA60-40011A	EYELET;-ID2.0,OD2.8,-,BST		...	4	GT803	AA60-40014A	PIN-GT,ASSY;1P,-,AUTO
...	4	EY701	AA60-40011A	EYELET;-ID2.0,OD2.8,-,BST		...	4	GT804	AA60-40014A	PIN-GT,ASSY;1P,-,AUTO
...	4	EY702	AA60-40011A	EYELET;-ID2.0,OD2.8,-,BST		...	4	GT805	AA60-40014A	PIN-GT,ASSY;1P,-,AUTO
...	4	EY703	AA60-40011A	EYELET;-ID2.0,OD2.8,-,BST		...	4	GT806	AA60-40014A	PIN-GT,ASSY;1P,-,AUTO
...	4	EY704	AA60-40011A	EYELET;-ID2.0,OD2.8,-,BST		...	4	DZR01S	0403-001321	DIODE-ZENER;MTZJ6.8C,6.66-7.01V,500mW,DO
...	4	EY705	AA60-40011A	EYELET;-ID2.0,OD2.8,-,BST		...	4	QR01S	0501-000283	TRANSISTOR;KSA539-Y(TAPG)/YTAM
...	4	EY706	AA60-40011A	EYELET;-ID2.0,OD2.8,-,BST		...	4	RR04S	2001-000908	R-CARBON ;62Kohm,5%,1/8W,AA,TP,1.8x3.2mm
...	4	EY801	AA60-40011A	EYELET;-ID2.0,OD2.8,-,BST		...	4	RR06S	2001-000977	R-CARBON;8.2Kohm,5%,1/8W,AA,TP,1.8x3.2mm
...	4	EY802	AA60-40011A	EYELET;-ID2.0,OD2.8,-,BST		...	4	RR05S	2001-001103	R-CARBON(S);20KOHM,5%,1/2W,AA,TP,2.4X6.4
...	4	EY803	AA60-40011A	EYELET;-ID2.0,OD2.8,-,BST		...	4	RR02S	2001-001149	R-CARBON(S);43KOHM,5%,1/2W,AA,
...	4	EY804	AA60-40011A	EYELET;-ID2.0,OD2.8,-,BST		...	4	RR03S	2004-001897	R-METAL(S);43.2KOHM,1%,1/2W,AA
...	4	EY805	AA60-40011A	EYELET;-ID2.0,OD2.8,-,BST		...	4	RR07S	2004-004029	R-METAL(S);10Kohm,1%,1/2W,AA,TP,2.5x6.5mm
...	4	EY806	AA60-40011A	EYELET;-ID2.0,OD2.8,-,BST		...	4	RR01S	2008-000264	R-FUSIBLE(S);10HM,5%,1W,AFTP,
...	4	EY809	AA60-40011A	EYELET;-ID2.0,OD2.8,-,BST		...	4	CR04S	2305-000412	C-FILM,MPEF;470NF,5%,63V,-,5MM
...	4	EY810	AA60-40011A	EYELET;-ID2.0,OD2.8,-,BST		...	4	L/LINE	AA68-01544A	LABEL;LINE,ALL MDL COMMON
...	4	EY812	AA60-40011A	EYELET;-ID2.0,OD2.8,-,BST		...	4	C650	2401-001192	C-AL;33UF;20%,50V,GP6X11MM,5MM,TP
...	4	EY813	AA60-40011A	EYELET;-ID2.0,OD2.8,-,BST		...	4	C824	2401-003028	C-AL;100UF;20%,25V,WT,TP,6.3X1
...	4	EY814	AA60-40011A	EYELET;-ID2.0,OD2.8,-,BST		...	4	C904	2401-000471	C-AL;10UF;20%,50V,BP6X11MM,5M
...	4	EY815	AA60-40011A	EYELET;-ID2.0,OD2.8,-,BST		...	4	R305	2003-002205	R-METAL OXIDE(S);330ohm,5%,2W,AG,TP,3.9X
...	4	EY816	AA60-40011A	EYELET;-ID2.0,OD2.8,-,BST		...	4	R306	2003-002205	R-METAL OXIDE(S);330ohm,5%,2W,AG,TP,3.9X
...	4	EY817	AA60-40011A	EYELET;-ID2.0,OD2.8,-,BST		...	4	R430	2004-000412	R-METAL;18Kohm,1%,1/4W,AA,TP,2.4x6.4mm
...	4	EY820	AA60-40011A	EYELET;-ID2.0,OD2.8,-,BST		...	2	CBLK+H	6003-000333	SCREW-TAPTITE;RH,+2S,M3,L10,ZPC(YEL),SW
...	4	EY824	AA60-40011A	EYELET;-ID2.0,OD2.8,-,BST		...	2	DFO+HC	6003-000333	SCREW-TAPTITE;RH,+2S,M3,L10,ZPC(YEL),SW
...	4	EY828	AA60-40011A	EYELET;-ID2.0,OD2.8,-,BST		...	2	PMAIN+	6003-000333	SCREW-TAPTITE;RH,+2S,M3,L10,ZPC(YEL),SW
...	4	EY829	AA60-40011A	EYELET;-ID2.0,OD2.8,-,BST		...	2	TBA+HC	6006-001095	SCREW-ASS'Y TAPT;WRBH,+M4,L12,ZPC(YEL)
...	4	EY830	AA60-40011A	EYELET;-ID2.0,OD2.8,-,BST		...	2	HC	AA61-01235A	HOLDER-CHASSIS;DP Z7,AA61-01190A
...	4	EY831	AA60-40011A	EYELET;-ID2.0,OD2.8,-,BST		...	2	CWHC	AA65-00011B	CLAMP-WIRE;ALL MODEL,NYLON 66,V2,NTR,15M
...	4	EY832	AA60-40011A	EYELET;-ID2.0,OD2.8,-,BST		...	2	DRES1	AA65-30018A	CLAMP-WIRE;-NYLON6.6,-,DATL
...	4	EY835	AA60-40011A	EYELET;-ID2.0,OD2.8,-,BST		...	2	C-BLOC	AA26-00069A	TRANS FBT;FUJ-29C002(C(S),DREAM3.4,-,-,-
...	4	EY836	AA60-40011A	EYELET;-ID2.0,OD2.8,-,BST		...	2	A/CRT	AA96-01590A	ASSY PCB P-CRT;29A11,K55A
...	4	EY837	AA60-40011A	EYELET;-ID2.0,OD2.8,-,BST		...	3	D501	0401-000005	DIODE;1N4148,100V,300mA,1V8nS,TAPING
...	4	EY839	AA60-40011A	EYELET;-ID2.0,OD2.8,-,BST		...	3	DF01	0401-000005	DIODE;1N4148,100V,300mA,1V8nS,TAPING
...	4	EY840	AA60-40011A	EYELET;-ID2.0,OD2.8,-,BST		...	3	DF02	0401-000005	DIODE;1N4148,100V,300mA,1V8nS,TAPING
...	4	EY841	AA60-40011A	EYELET;-ID2.0,OD2.8,-,BST		...	3	DF05	0401-000005	DIODE;1N4148,100V,300mA,1V8nS,TAPING
...	4	EY842	AA60-40011A	EYELET;-ID2.0,OD2.8,-,BST		...	3	DF06	0401-000005	DIODE;1N4148,100V,300mA,1V8nS,TAPING
...	4	EY844	AA60-40011A	EYELET;-ID2.0,OD2.8,-,BST		...	3	D502	0402-000546	DIODE-RECTIFIER;TVR10G,400V,1.
...	4	EY845	AA60-40011A	EYELET;-ID2.0,OD2.8,-,BST		...	3	D509	0402-000546	DIODE-RECTIFIER;TVR10G,400V,1.
...	4	EY846	AA60-40011A	EYELET;-ID2.0,OD2.8,-,BST		...	3	D510	0402-000546	DIODE-RECTIFIER;TVR10G,400V,1.
...	4	EY848	AA60-40011A	EYELET;-ID2.0,OD2.8,-,BST		...	3	D511	0402-000546	DIODE-RECTIFIER;TVR10G,400V,1.
...	4	EY850	AA60-40011A	EYELET;-ID2.0,OD2.8,-,BST		...	3	D512	0402-000546	DIODE-RECTIFIER;TVR10G,400V,1.
...	4	EY851	AA60-40011A	EYELET;-ID2.0,OD2.8,-,BST		...	3	D513	0402-000546	DIODE-RECTIFIER;TVR10G,400V,1.
...	4	EY853	AA60-40011A	EYELET;-ID2.0,OD2.8,-,BST		...	3	D514	0402-000546	DIODE-RECTIFIER;TVR10G,400V,1.
...	4	EY854	AA60-40011A	EYELET;-ID2.0,OD2.8,-,BST		...	3	DF07	0402-000546	DIODE-RECTIFIER;TVR10G,400V,1.
...	4	EY855	AA60-40011A	EYELET;-ID2.0,OD2.8,-,BST		...	3	DF08	0402-000546	DIODE-RECTIFIER;TVR10G,400V,1.
...	4	EY856	AA60-40011A	EYELET;-ID2.0,OD2.8,-,BST		...	3	DZF03	0403-000508	DIODE-ZENER;MTZJ5.6B,5.6V,5.45-5.73V,500
...	4	EY857	AA60-40011A	EYELET;-ID2.0,OD2.8,-,BST		...	3	DZ503	0403-000508	DIODE-ZENER;MTZJ5.6B,5.6V,5.45-5.73V,500
...	4	EY858	AA60-40011A	EYELET;-ID2.0,OD2.8,-,BST		...	3	DZ504	0403-000698	DIODE-ZENER;TZP12A,12V,11.4-12.6V,1W,DO-
...	4	EY859	AA60-40011A	EYELET;-ID2.0,OD2.8,-,BST		...	3	DZ501	0403-000708	DIODE-ZENER;MTZJ13B,13V,12.55-13.21V,500
...	4	EY864	AA60-40011A	EYELET;-ID2.0,OD2.8,-,BST		...	3	DZ502	0403-000708	DIODE-ZENER;MTZJ13B,13V,12.55-13.21V,500
...	4	EY865	AA60-40011A	EYELET;-ID2.0,OD2.8,-,BST		...	3	DZ510	0403-000734	DIODE-ZENER;TZP15B,15V,14.7-16.5V,1W,DO-
...	4	EY871	AA60-40011A	EYELET;-ID2.0,OD2.8,-,BST		...	3	DZF01	0403-001039	DIODE ZENER;MA2560,56V,52-60V,1W,DO-41,T
...	4	EY872	AA60-40011A	EYELET;-ID2.0,OD2.8,-,BST		...	3	DZF02	0403-001039	DIODE ZENER;MA2560,56V,52-60V,1W,DO-41,T
...	4	EL401	AA60-40011B	EYELET;-ID2.2,OD3.2,-,BSP		...	3	Q501	0501-000283	TRANSISTOR;KSA539-Y(TAPG)/YTAM
...	4	EL402	AA60-40011B	EYELET;-ID2.2,OD3.2,-,BSP		...	3	Q502	0501-000283	TRANSISTOR;KSA539-Y(TAPG)/YTAM
...	4	EL407	AA60-40011B	EYELET;-ID2.2,OD3.2,-,BSP		...	3	Q503	0501-000283	TRANSISTOR;KSA539-Y(TAPG)/YTAM
...	4	EL408	AA60-40011B	EYELET;-ID2.2,OD3.2,-,BSP		...	3	Q504	0501-000283	TRANSISTOR;KSA539-Y(TAPG)/YTAM

Level	Loc. No.	Code No.	Description ; Specification	Remark	Level	Loc. No.	Code No.	Description ; Specification	Remark
...	QF04	0501-000283	TRANSISTOR;KSA539-Y(TAPG)/YTAM		...	C509	2301-000016	C-FILMPEF;22NF5%,100V,TP,7.2X	
...	QF02	0501-000389	TRANSISTOR;KSC815-Y(TAPG)/YTAM		...	CF05	2301-000261	C-FILM,PEF;4.7NF5%,100V,10.5X	
...	QF03	0501-000389	TRANSISTOR;KSC815-Y(TAPG)/YTAM		...	C508	2301-001211	C-FILM,PPF;22nf5%,400V,TP,20x7x14,7.5mm	
...	QF05	0501-000389	TRANSISTOR;KSC815-Y(TAPG)/YTAM		...	C511	2301-001211	C-FILM,PPF;22nf5%,400V,TP,20x7x14,7.5mm	
...	R531	2001-000009	R-CARBON;20KOHM,5%,1/8W,AA,TP		...	C512	2301-001211	C-FILM,PPF;22nf5%,400V,TP,20x7x14,7.5mm	
...	RF17	2001-000019	R-CARBON(S);10ohm,5%,1/2W,AA,TP,2.4x6.4m		...	C526	2301-001211	C-FILM,PPF;22nf5%,400V,TP,20x7x14,7.5mm	
...	R560	2001-000052	R-CARBON(S);3.3KOHM,5%,1/2W,AA		...	C533	2305-000665	C-FILM;104J, 60V,5MM TAPING	
...	RF30	2001-000221	R-CARBON;1.2KOHM,5%,1/8W,AA,TP		...	CF75	2401-000045	C-AL;10uf;20%,160V,GP,TP,10x16,5	
...	RF31	2001-000221	R-CARBON;1.2KOHM,5%,1/8W,AA,TP		...	CF01	2401-000360	C-AL;100UF;20%,50V,GP8X11MM,5	
...	R501	2001-000241	R-CARBON;1.5KOHM,5%,1/8W,AA,TP		...	C520	2401-000703	C-ELEC;CE04-40/8525VT22-MWSD	
...	R502	2001-000241	R-CARBON;1.5KOHM,5%,1/8W,AA,TP		...	C528	2401-000832	C-AL;220UF;20%,25V,GP8X11MM,5	
...	R527	2001-000241	R-CARBON;1.5KOHM,5%,1/8W,AA,TP		...	C534	2401-000832	C-AL;220UF;20%,25V,GP8X11MM,5	
...	RF22	2001-000241	R-CARBON;1.5KOHM,5%,1/8W,AA,TP		...	CF71	2401-000832	C-AL;220UF;20%,25V,GP8X11MM,5	
...	RF25	2001-000241	R-CARBON;1.5KOHM,5%,1/8W,AA,TP		...	C535	2401-000913	C-AL;22UF;20%,16V,GP,TP5x11,5	
...	RF28	2001-000241	R-CARBON;1.5KOHM,5%,1/8W,AA,TP		...	CF73	2401-000927	C-AL;22UF;20%,250V,GP13X20MM,	
...	RF21	2001-000258	R-CARBON;1.8Kohm,5%,1/8W,AA,TP,1.8x3.2m		...	C532	2401-001563	C-AL;47uf;20%,400V,GP,TP,16x25mm,7.5	
...	R530	2001-000273	R-CARBON;100KOHM,5%,1/8W,AA,TP		...	CF74	2401-000025	C-ALUMINUM;100uf;20%,16V,GP,TP6.3x11,5	
...	R562	2001-000273	R-CARBON;100KOHM,5%,1/8W,AA,TP		...	C531	2401-002264	C-AL;10UF;20%,350V,GP,TP,10X20	
...	R563	2001-000273	R-CARBON;100KOHM,5%,1/8W,AA,TP		...	LF03	2701-000112	INDUCTOR-AXIAL;100UH,10%,2.8X7	
...	R522	2001-000290	R-CARBON;10KOHM,5%,1/8W,AA,TP		...	L502	2701-000178	INDUCTOR-AXIAL;33UH,10%,2.8X7MM	
...	R564	2001-000290	R-CARBON;10KOHM,5%,1/8W,AA,TP		...	LF11	2702-001092	INDUCTOR-RADIAL;2.2uH,10%,6x4mm	
...	RF20	2001-000331	R-CARBON;12KOHM,5%,1/8W,AA,TP		...	LF01	2901-000297	FILTER-EMI ON BOARD;-3A,-,3.5x5,TP-	
...	R540	2001-000429	R-CARBON;1Kohm,5%,1/8W,AA,TP,1.8x3.2mm		...	LF02	2901-000297	FILTER-EMI ON BOARD;-3A,-,3.5x5,TP-	
...	R554	2001-000429	R-CARBON;1Kohm,5%,1/8W,AA,TP,1.8x3.2mm		...	LF04	2901-000297	FILTER-EMI ON BOARD;-3A,-,3.5x5,TP-	
...	R555	2001-000429	R-CARBON;1Kohm,5%,1/8W,AA,TP,1.8x3.2mm		...	LF06	2901-000297	FILTER-EMI ON BOARD;-3A,-,3.5x5,TP-	
...	R556	2001-000429	R-CARBON;1Kohm,5%,1/8W,AA,TP,1.8x3.2mm		...	LF08	2901-000297	FILTER-EMI ON BOARD;-3A,-,3.5x5,TP-	
...	R507	2001-000472	R-CARBON;2.7KOHM,5%,1/8W,AA,TP		...	LF09	2901-000297	FILTER-EMI ON BOARD;-3A,-,3.5x5,TP-	
...	RF23	2001-000554	R-CARBON;270OHM,5%,1/8W,AA,TP		...	J502	3812-000219	JUMPER-WIRE-SO,COPPER;TA0.6SN/52M/M/A	
...	RF20	2001-000563	R-CARBON;27KOHM,5%,1/8W,AA,TP,1.8X3.2MM		...	J503	3812-000219	JUMPER-WIRE-SO,COPPER;TA0.6SN/52M/M/A	
...	R523	2001-000890	R-CARBON;6.8KOHM,5%,1/8W,AA,TP		...	J504	3812-000219	JUMPER-WIRE-SO,COPPER;TA0.6SN/52M/M/A	
...	R508	2001-000995	R-CARBON;820OHM,5%,1/8W,AA,TP		...	J505	3812-000219	JUMPER-WIRE-SO,COPPER;TA0.6SN/52M/M/A	
...	R566	2001-001040	R-CARBON(S);0.68OHM,5%,1/2W,AA		...	J506	3812-000219	JUMPER-WIRE-SO,COPPER;TA0.6SN/52M/M/A	
...	R504	2001-001045	R-CARBON(S);1.2KOHM,5%,1/2W,AB		...	J510	3812-000219	JUMPER-WIRE-SO,COPPER;TA0.6SN/52M/M/A	
...	R505	2001-001045	R-CARBON(S);1.2KOHM,5%,1/2W,AB		...	J511	3812-000219	JUMPER-WIRE-SO,COPPER;TA0.6SN/52M/M/A	
...	RF33	2001-001053	R-CARBON(S);1.5OHM,5%,1/2W,AA		...	J512	3812-000219	JUMPER-WIRE-SO,COPPER;TA0.6SN/52M/M/A	
...	R565	2001-001071	R-CARBON(S);12KOHM,5%,1/2W,AA		...	J514	3812-000219	JUMPER-WIRE-SO,COPPER;TA0.6SN/52M/M/A	
...	RF29	2001-001071	R-CARBON(S);12KOHM,5%,1/2W,AA		...	J515	3812-000219	JUMPER-WIRE-SO,COPPER;TA0.6SN/52M/M/A	
...	RF18	2001-001079	R-CARBON(S);15OHM,5%,1/2W,AB,T		...	J519	3812-000219	JUMPER-WIRE-SO,COPPER;TA0.6SN/52M/M/A	
...	RF19	2001-001079	R-CARBON(S);15OHM,5%,1/2W,AB,T		...	J520	3812-000219	JUMPER-WIRE-SO,COPPER;TA0.6SN/52M/M/A	
...	R503	2001-001088	R-CARBON(S);1KOHM,5%,1/2W,AA,TP,2.4X6.4		...	J525	3812-000219	JUMPER-WIRE-SO,COPPER;TA0.6SN/52M/M/A	
...	R518	2001-001095	R-CARBON(S);2.2MOHM,5%,1/2W,AA,TP,2.4X6.		...	JF02	3812-000219	JUMPER-WIRE-SO,COPPER;TA0.6SN/52M/M/A	
...	RF34	2001-001100	R-CARBON(S);2.7OHM,5%,1/2W,AA		...	JF04	3812-000219	JUMPER-WIRE-SO,COPPER;TA0.6SN/52M/M/A	
...	R561	2001-001126	R-CARBON(S);300OHM,5%,1/2W,AB,TP,2.4X6.4		...	R517	3812-000219	JUMPER-WIRE-SO,COPPER;TA0.6SN/52M/M/A	
...	R516	2001-001153	R-CARBON(S);47OHM,5%,1/2W,AA,T		...	R526	3812-000219	JUMPER-WIRE-SO,COPPER;TA0.6SN/52M/M/A	
...	RF26	2001-001179	R-CARBON(S);68KOHM,5%,1/2W,AA		...	00VER	AA41-00890A	PCB CRTCT-29A10,,A,,K55A,4,,	
...	RF27	2001-001179	R-CARBON(S);68KOHM,5%,1/2W,AA		...	EL100	AA60-40011B	EYELET;-ID2.2,0D3.2,-,BSP	
...	R525	2002-001006	R-COMPOSITION;4.7KOhm,5%,1/2W,AA,TP,3.7X		...	EL80	AA60-40011B	EYELET;-ID2.2,0D3.2,-,BSP	
...	R513	2002-001017	R-COMPOSITION;1K,10%,1/2W,AA,TP,3.7x9.0m		...	EL81	AA60-40011B	EYELET;-ID2.2,0D3.2,-,BSP	
...	R514	2002-001017	R-COMPOSITION;1K,10%,1/2W,AA,TP,3.7x9.0m		...	EL82	AA60-40011B	EYELET;-ID2.2,0D3.2,-,BSP	
...	R515	2002-001017	R-COMPOSITION;1K,10%,1/2W,AA,TP,3.7x9.0m		...	EL83	AA60-40011B	EYELET;-ID2.2,0D3.2,-,BSP	
...	R524	2002-001012	R-COMPOSITION;8.2MOhm,5%,1/2W,AA,TP,3.7X		...	EL84	AA60-40011B	EYELET;-ID2.2,0D3.2,-,BSP	
...	R528	2003-000458	R-METALOXIDE(S);100OHM,5%,2W,AA		...	EL85	AA60-40011B	EYELET;-ID2.2,0D3.2,-,BSP	
...	RF36	2003-000652	R-METAL OXIDE(S);330ohm,5%,2W,AF,TP,4x12		...	EL86	AA60-40011B	EYELET;-ID2.2,0D3.2,-,BSP	
...	RF32	2003-000746	R-METALOXIDE(S);56OHM,5%,2W,AD		...	EL87	AA60-40011B	EYELET;-ID2.2,0D3.2,-,BSP	
...	RF35	2003-000746	R-METALOXIDE(S);56OHM,5%,2W,AD		...	EL88	AA60-40011B	EYELET;-ID2.2,0D3.2,-,BSP	
...	RF24	2003-001018	R-METALOXIDE;220OHM,2W		...	EL89	AA60-40011B	EYELET;-ID2.2,0D3.2,-,BSP	
...	RF14	2003-002276	R-METAL OXIDE(S);2.2KOHM,5%,2W,AG,TP,12X		...	EL92	AA60-40011B	EYELET;-ID2.2,0D3.2,-,BSP	
...	RF15	2003-002276	R-METAL OXIDE(S);2.2KOHM,5%,2W,AG,TP,12X		...	EL94	AA60-40011B	EYELET;-ID2.2,0D3.2,-,BSP	
...	RF16	2003-002276	R-METAL OXIDE(S);2.2KOHM,5%,2W,AG,TP,12X		...	EL95	AA60-40011B	EYELET;-ID2.2,0D3.2,-,BSP	
...	R512	2004-001369	R-METAL(S);1.2Kohm,1%,1/2W,AA,TP,2.4x6.4		...	EL96	AA60-40011B	EYELET;-ID2.2,0D3.2,-,BSP	
...	RF13	2008-001014	R-FUSIBLE(S);22ohm,5%,1W,AF,TP,3.2x10mm		...	EL97	AA60-40011B	EYELET;-ID2.2,0D3.2,-,BSP	
...	R529	2008-001129	R-FUSIBLE(S);1.5OHM,5%,1/2W,AF,TP,2.5		...	EL98	AA60-40011B	EYELET;-ID2.2,0D3.2,-,BSP	
...	R541	2008-001053	R-FUSIBLE;220HM,5%,1/2W,AF,TP		...	EL99	AA60-40011B	EYELET;-ID2.2,0D3.2,-,BSP	
...	CF03	2201-000192	C-CERAMIC,DISC;10PF,0.25PF;500V,NPO,-,5M		...	EL90	AA60-40011B	EYELET;-ID2.2,0D3.2,-,BSP	
...	CF06	2201-000192	C-CERAMIC,DISC;10PF,0.25PF;500V,NPO,-,5M		...	GT501	AA60-40014A	PIN-GT,ASSY;1P,-,AUTO	
...	C501	2201-000193	C-CERAMIC,DISC;10PF,0.25PF;50V		...	GT502	AA60-40014A	PIN-GT,ASSY;1P,-,AUTO	
...	C510	2201-000291	C-CERAMIC,DISC;1NF;10%,500V,Y5		...	GT503	AA60-40014A	PIN-GT,ASSY;1P,-,AUTO	
...	CF02	2201-000017	C-CERAMIC,DISC;1NF;10%,50V,Y5P;4X3.5MM,5		...	GT504	AA60-40014A	PIN-GT,ASSY;1P,-,AUTO	
...	CF04	2201-000516	C-CERAMIC,DISC;4.7NF,+100-0%,5		...	GT505	AA60-40014A	PIN-GT,ASSY;1P,-,AUTO	
...	C514	2201-000599	C-CERAMIC,DISC;560PF;10%,500V,		...	R509	2008-000205	R-FUSIBLE(S);10OHM,5%,1/2W,AF	
...	C515	2201-000599	C-CERAMIC,DISC;560PF;10%,500V,		...	R519	2001-000356	R-CARBON;150KOHM,5%,1/8W,AA,TP	
...	C513	2201-000600	C-CERAMIC,DISC;560PF;10%,50V,Y5P;4X3.5MM		...	C536	2202-000121	C-CERAMIC,MLC-AXIAL;100pf;10%,50V,Y5P,TP	
...	CF07	2201-000604	C-CERAMIC,DISC;56PF,+100-0%,50		...	C537	2202-000121	C-CERAMIC,MLC-AXIAL;100pf;10%,50V,Y5P,TP	
...	C504	2301-000016	C-FILMPEF;22NF5%,100V,TP,7.2X		...	C538	2202-000121	C-CERAMIC,MLC-AXIAL;100NF;10%,50V,Y5P,TP	
...	C505	2301-000016	C-FILMPEF;22NF5%,100V,TP,7.2X		...	C539	2202-002037	C-CERAMIC,MLC-AXIAL;100NF,+80-20	
...	C506	2301-000016	C-FILMPEF;22NF5%,100V,TP,7.2X		...	R506	2001-001194	R-CARBON(S);82KOHM,5%,1/2W,AA	
...	C507	2301-000016	C-FILMPEF;22NF5%,100V,TP,7.2X		...	R510	2001-001194	R-CARBON(S);82KOHM,5%,1/2W,AA	

Level	Loc. No.	Code No.	Description ; Specification	Remark
...	R511	2001-001194	R-CARBON(S);82KOHM,5%,1/2W,AA,	
...	C522	2201-002117	C-CERAMIC,DISC;4.7nF,20%,3kV,Y5U,TP,16x6	
...	C523	2306-000272	C-FILM,MPPF;820nF,5%,400V,BK,29x25.5x18.	
△	V999S	3704-000114	SOCKET CRT;14P;29.1,35.5SN,1SH09S/BK	
...	CNC01	3711-003974	CONNECTOR-HEADER;BOX,12P;1R,2.5mm,STRAIG	
...	SC01	3722-001503	JACK-PIN;1P;1P1,NI,RED,SCR-JACK	
...	CNC01A	AA39-00098A	LEAD CONNECTOR-ASSY;HERCULES,UL1007/1185	
△	GT503S	AA39-20010B	LEAD-CONNECTOR,ASSY;-YFH800-01,500MM,1P	
...	CNC03A	AA39-20016D	LEAD-CONNECTOR,ASSY;-67096-003,S,3P;500	
...	CNC02A	AA39-20068B	LEAD CONNECTOR-ASSY;-8PYBNH025-08,67096	
...	IC505	1203-000165	IC-POSI.AD,JUSTREG.;78R12,T0-22	
...	QF10	AA96-00243L	ASSY H/S;-CRT,AA62-00045A,2SC2344,HERC	
...		0205-000129	GREASE-SILICON;SC102,JAPAN	
...		0502-000153	TR-POWER;2SC2344-D,NPN,180V,16	
...		6003-000335	SCREW-TAPTITE;RH,+,2S,M3,L8,ZPC(YEL),SWR	
...		AA62-00045A	HEAT SINK-PS;-;T1.0,-;DREAM,-;-;-	
...	QF09	AA96-00243M	ASSY H/S;-AMP,AA62-00045A,2SA1011,HERC	
...		0205-000129	GREASE-SILICON;SC102,JAPAN	
...		0502-000131	TR-POWER;2SA1011-D,PNP,-180V,-	
...		6003-000335	SCREW-TAPTITE;RH,+,2S,M3,L8,ZPC(YEL),SWR	
...		AA62-00045A	HEAT SINK-PS;-;T1.0,-;DREAM,-;-;-	
...	IC501	AA96-50311L	ASSY H/S;-AMP,AA62-30175D ,TDA6111Q,HE	
...	IC502	AA96-50311L	ASSY H/S;-AMP,AA62-30175D ,TDA6111Q,HE	
...	IC503	AA96-50311L	ASSY H/S;-AMP,AA62-30175D ,TDA6111Q,HE	
...		1201-001131	IC-VIDEO AMP;6111,SIP;9P,-,SINGLE,-,PLAS	
...		6003-000334	SCREW-TAPTITE;RH,+,2S,M3,L6,ZP	
...		AA62-30175D	HEATSINK-PS;-SECC,T1.0,-;3X15X30FT-2	
...	IC504	BH99-00038E	ASSY HEAT/SINK;TDA2030,AMP;HERCULES,BH62	
...		0205-001027	OIL-SILICON;G746	
...		1201-000010	IC-OP AMP;2030,PENTAWATT;5P,-,SINGLE,-,C	
...		BH61-00004A	SPRING TR;SUS304,W1/2H,T0.4,W3.5	
...		BH62-00041A	HEAT SINK-TR;	
...	FV1	3711-002642	POST-HEADER;67094-003(AUTO)	
...	CNC03	3711-002642	POST-HEADER;67094-003(AUTO)	
...	FN1	3711-002643	POST-HEADER;YW025-04(AUTO)	
...	BAND	AA63-10002B	BAND-TIE;-NYLON66V2,-;L140,NTR,-;-	
...	TAPE+R	0203-001203	TAPE-DOUBLE FACE;#4016,T1.6,W10,L1000,NT	
...	RWK	4715-000106	SURGEABSORBER;300V,-;-;-CHIP	

ASSY CPT

1	A/CPT	AA91-05992C	ASSY CPT;TXN2670WFFXXAA,K55A,(+400MG+230M
△	D-COIL	AA27-00303A	COIL DEGAUSSING;28inch,28inch,5.45mH±æ20
△	CRT	AA03-00330A	CRT COLOR;W66QDE993X100,400MG,0.33MMH,7.9
△	A/TBC	AA98-70008C	ASSY-TBC,WIRE(P);TVI 29',NTSC,2P-WH,-
△	S/GUM	AA63-60004Y	SPACER-GUM,CRT;NTR RUBBER,T2.0,RED,-,ALL
△	C/DCOI	AA65-00019A	CLAMP CORE-D,COIL;25-34,NYLON 66,V2,NTR

ASSY COVER FRONT

1	A/CFRO	AA90-04572A	ASSY COVER FRONT;TXN2670WFFXXAA,K55A
△	KC+CM	6003-001019	SCREW-TAPTITE;RH,+,B,M4,L12,ZPC(BLK),SWR
△	PCB+CF	6003-001019	SCREW-TAPTITE;RH,+,B,M4,L12,ZPC(BLK),SWR
△	PCB+HA	6003-001023	SCREW-TAPTITERWH,+,B,M3,L10,ZPC(YEL)
△	SPK+CF	6006-001095	SCREW-ASSY TAPT;WPBH,+,M4,L12,ZPC(YEL)
△	CRT+CF	AA60-10050V	SCREW-ASSY;WC,HH,+,M6,L30,SWRCH18A,ZPC(S
△	A/HSPK	AA96-01461B	ASSY SPEAKER P;8ohm,28A11,10W,Semidome S
△	R/CAP	AA73-00005B	RUBBER-CAP;FLAT,PRJ,SILICONE RUBBER,WHIT
△	R/CAP	AA73-00020A	RUBBER-CAP;32A10,RUBBER
△	RC+CF	0203-001290	TAPE-OPP MASKING;ANT 100C,T0.073,W30,L50
△	L/QMS	AA68-02391A	LABEL-QMS;ART-PAPER(90)G,110x24mm
△	SPK+BC	AA65-30018A	CLAMP-WIRE;-;NYLON6.6,-;D,ATL
△	C/DCOI	AA65-30018A	CLAMP-WIRE;-;NYLON6.6,-;D,ATL
△	FC	AA96-01458A	ASSY COVER P-FRONT;DP 28A11,HIPS V0,G430
△	MASK	0203-001131	TAPE-DOUBLE FACE;#4949,T1.1,W12,L20,
△	TAPE	0203-001290	TAPE-OPP MASKING;ANT 100C,T0.073,W30,L50
△	CF+CM	6003-001019	SCREW-TAPTITE;RH,+,B,M4,L12,ZPC(BLK),SWR
△	WIN+CM	6003-001019	SCREW-TAPTITE;RH,+,B,M4,L12,ZPC(BLK),SWR
△	MASK	AA60-00091R	SPACER-FELT;FELT,250X10,-,BLK,T0.5,-
△	SPRING	AA61-60003J	SPRING ETC-CS;-;SUS304,-;-;OD6,N7,OD6,-
△	CD	AA63-00660A	COVER-DECORATION;28A11,ABS,HB,WHITE

Level	Loc. No.	Code No.	Description ; Specification	Remark
...	BADGE	AA64-01062B	BADGE BRAND;32Z5,AL FORGING,-;-L65,-;SI	
...	WR	AA64-03338A	WINDOW-RMC,LED;32A11,PC,CLR	
...	KP	AA64-03345A	KNOB-POWER;32A11,ABS,HB,G4309,SVM3012	
...	CF	AA64-03366A	CABINET-FRONT;28A11,HIPS,V0	
...	CMASK	AA64-03368A	CABINET-MASK;28A11,HIPS,V0	
...	CWRF	AA65-00011C	CLAMP-WIRE;ALL MODEL,NYLON 66,V2,NTR,25M	
...	CWRF	AA65-30105A	CLAMP-WIRE;NYLON 66N,V0,NTR,15MM	
..	KC	AA64-03648A	KNOB CONTROL;DP 28A11,AA64-03344A	
...	A/CAV	AA96-01365F	ASSY COVER P-HOLDER AV;ABS HB,G4309,SV01	
...	HAV	AA61-01286C	HOLDER-AV;29A11,ABS HB,G4309,SVM3012	
...	LD	AA61-30001A	LATCH-DOOR;-;-KIFUCOLA701,-	
...	INAV	AA64-00246P	INLAY AV;29A11,SHEET PS,T0.3,K55A DO SIL	
...	DAV	AA64-03346D	DOOR-AV;29A11,ABS HB,G4309,SVM3012	
...	INPC	AA64-60446C	INLAY-PC,JACK;29A6,L/GRAY,PS SHEET,T0.5,	
...	SF+DAV	AA63-00099D	SPACER-FELT;A10,FELT,WHITE,T0.5,20*10	
..	APAV	AA96-01502A	ASSY PCB P-SIDE A/V;TXM2771HFX,K55A	
...	DZ701	0403-000720	DIODE-ZENER;MTZJ9.1B,9.1V,8.57-9.01V,500	
...	DZ702	0403-000708	DIODE-ZENER;MTZJ13B,13V,12.55-13.21V,500	
...	DZ703	0403-000708	DIODE-ZENER;MTZJ13B,13V,12.55-13.21V,500	
...	R701	2001-000028	R-CARBON(S);1000HM,5%,1/2W,AB,	
...	R702	2001-000028	R-CARBON(S);1000HM,5%,1/2W,AB,	
...	C701	2202-000121	C-CERAMIC,MLC-AXIAL;100pF,10%,50V,Y5P,TP	
...	C702	2202-000121	C-CERAMIC,MLC-AXIAL;100pF,10%,50V,Y5P,TP	
...	C707	2202-000231	C-CERAMIC,MLC-AXIAL;330PF,10%,50V,Y5P,3.	
...	C708	2202-000231	C-CERAMIC,MLC-AXIAL;330PF,10%,50V,Y5P,3.	
...	L701	2701-000114	INDUCTOR-AXIAL;10UH,10%,2.5X3.	
...	L702	2701-000114	INDUCTOR-AXIAL;10UH,10%,2.5X3.	
...	L705	2701-000168	INDUCTORAXIAL;3.3uH,5%,2.5x3.4mm	
...	L706	2701-000168	INDUCTORAXIAL;3.3uH,5%,2.5x3.4mm	
...	L707	3301-000287	CORE-FERRITEBEAD;AA,3.5X1.0X6.	
...	L708	3301-000287	CORE-FERRITEBEAD;AA,3.5X1.0X6.	
...	J701	3812-000219	JUMPER-WIRE-SO,COPPER;TA0.6SN/52M/M/A	
...	J702	3812-000219	JUMPER-WIRE-SO,COPPER;TA0.6SN/52M/M/A	
...	00VER	AA41-00891A	PCB A/V SIDE;CT-29A10,-;A,,K55A,10,-	
...	JK04	3722-000544	JACK-VHS;4P;11.5mm,AG,BLK,N	
...	JKH01	3722-001061	JACK-PHONE;1P3.6MM,AG,BLK,N	
...	JA701	3722-001164	JACK-PIN;3P;3.4mm,SN,WH;YE,RE,#16-22	
...	CN704	AA39-00070B	LEAD CONNECTOR-ASSY;-4PYBNH250-04,35184	
...	CN703	AA39-20069A	LEAD-CONNECTOR,ASSY;-YBNH025-	
...	CN701	AA39-20071H	LEAD CONNECTOR;K55A/CT-29A10HR,UL1007#26	
..	APC	AA96-01509A	ASSY PCB P-CONTROL;TXN2670WVHF,K55A	
...	SW01	3404-000176	SWITCH-TACT;12V,50MA,90-150GF,	
...	SW02	3404-000176	SWITCH-TACT;12V,50MA,90-150GF,	
...	SW03	3404-000176	SWITCH-TACT;12V,50MA,90-150GF,	
...	SW04	3404-000176	SWITCH-TACT;12V,50MA,90-150GF,	
...	SW05	3404-000176	SWITCH-TACT;12V,50MA,90-150GF,	
...	SW06	3404-000176	SWITCH-TACT;12V,50MA,90-150GF,	
...	SW07	3404-000176	SWITCH-TACT;12V,50MA,90-150GF,	
...	DY01	0401-000005	DIODE;1N4148,100V,300mA,1V,8nS,TAPING	
...	DY02	0401-000005	DIODE;1N4148,100V,300mA,1V,8nS,TAPING	
...	DZC01	0403-000508	DIODE-ZENER;MTZJ5.6B,5.6V,5.45-5.73V,500	
...	RC06	2001-000007	R-CARBON;3KOHM,5%,1/8W,AA,TP1	
...	RC04	2001-000009	R-CARBON;20KOHM,5%,1/8W,AA,TP,	
...	RC05	2001-000020	R-CARBON(S);220HM,5%,1/2W,AA,T	
...	RC01	2001-000281	R-CARBON;1000HM,5%,1/8W,AA,TP,	
...	RC07	2001-000287	R-CARBON;1000HM,5%,1/8W,AA,TP,	
...	RC02	2001-000571	R-CARBON;2KOHM,5%,1/8W,AA,TP1	
...	RC03	2001-000878	R-CARBON;6.2KOHM,5%,1/8W,AA,TP	
...	CY01	2401-002291	C-ELECTROLYTIC;CE04WTAPG16V47M	
...	IY01	2701-000114	INDUCTOR-AXIAL;10UH,10%,2.5X3.	
...	00VER	AA41-00914A	PCB CONTROL;CT-29A11,FR-1,1-layer,A,1.6T	
...	LDY02	0601-000262	LED;ROUND,RED,5mm,700nm	
...	RMY01	AA32-00012A	MODULE REMOCON;ORC-50HF2,38KHZ,940NM,MES	
...	CN01	AA39-00100B	LEAD CONNECTOR-ASSY;-4PYBNH250-04,35155	
...	CN02	AA39-20055C	LEAD CONNECTOR ASSY;YBNH025-06,67096-006	

ASSY COVER REAR

1	A/CREA	AA90-04573A	ASSY COVER REAR;TXN2670WFFXXAA
△	BC	AA64-03559A	CABINET BACK;DP 28A11,AA64-03367A
△	SPACER	AA60-00091J	SPACER-FELT;-;FELT,330X10,-,BLK,T0.5,-
△	IN/BCK	AA64-60421C	INLAY-COVER;-;PS,T0.3,-;-BLK,SEA
△	AC+BC	AA65-30008A	CLAMP-CORD;-;PE,HB,BLK,-;-
△	CB+RCA	6003-001026	SCREW-TAPTITE;RH,+,B,M4,L15,ZPC(BLK),SWR

Level	Loc. No.	Code No.	Description ; Specification	Remark	Level	Loc. No.	Code No.	Description ; Specification	Remark
..2	CB+TER	6003-001026	SCREW-TAPTITE;RH,+,B,M4,L15,ZPC(BLK),SWR						
..2	CB+CF	6003-001026	SCREW-TAPTITE;RH,+,B,M4,L15,ZPC(BLK),SWR						
..2	F/BOX	AA65-30018A	CLAMP-WIRE;-,NYLON6.6,-,-,DATL						
..2	FBT	AA65-30018A	CLAMP-WIRE;-,NYLON6.6,-,-,DATL						
..2	ADH-SI	0201-001059	ADHESIVE-SILICON;B#9590,CARTRIGE						
..2	L/STAR	AA68-01557A	LABEL ENERGY;STAR,STATIC FREE FILM						
..2	L/RAT	AA68-02692A	LABEL RATING;WHITE-PAPER,60X90MM,SEA/SEC						
..2	L/DHHS	AA68-02502A	LABEL-D.H.H.S.;A/P 90(G),63,73,PRINT						
..2	TBA	AA65-00028A	TERMINAL-BOARD,ANT, DP Z7,AA65-00025A VO						
..2	INL/TB	AA64-02822K	INLAY-BACK;PS SHEET,T0.5						

ASSY P/MATERIAL

1	A/PMAT	AA92-07697A	ASSY P/MATERIAL;TXN2670WHFXXAA
..2	BOX	0203-001295	TAPE-OPP MASKING;1242,T0.06,W100,L91.4M,
..2	STAPLE	AA60-40006A	PIN-STAPLE;-,-,H18,33X17.8X2
..2	C/SET	AA69-02068A	CUSHION-SET;28A11,PS FOAMED,C=0.02
..2	PE-BAG	AA69-01209A	BAG;SHEET,25-27,W54,L60,FOAM,OEM.

ASSY BOX

1	A/BOX	AA92-07696A	ASSY BOX;TXN2670WHFXXAA
..2	PCK	AA69-02135A	PACKING CASE;28A11(SAMEX),D-4 AB,A1,895,
..2	L/BOX	AA68-01542A	LABEL;(UNIBOX),PAPER WHT ALLMD

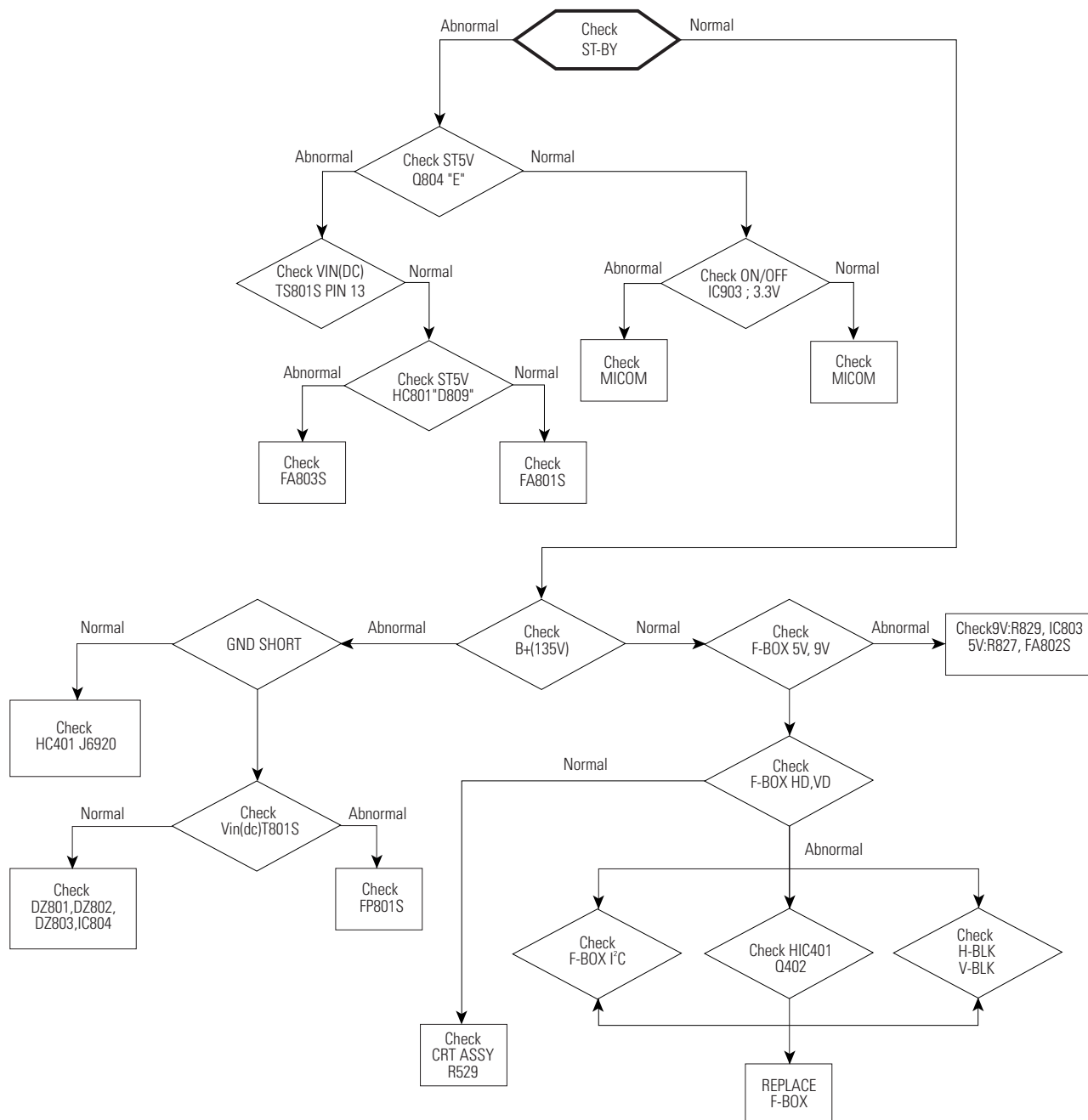
ASSY ACCESSORY

1	A/ACCS	AA92-07547J	ASSY ACCESSORY;TXN2670WHFXXAA,K55A
..2	BATT	4301-000120	BATTERY-MN;1.5V,-AA
..2	RMT	AA59-00251B	REMOCON;TM58,YOUNG STAR,41,SS,G6671B,MBR
..2	W/CARD	AA68-01433A	CARD WARRANTY;TV/TVCR,ALL,W/P100(G),B5,
..2	B/WARR	AA68-01561A	CARD WARRANTY;BLOCK,STATEMENT ONLY,SEA/S
..2	C/REG	AA68-01969A	CARD;REGISTRATION PRODUCT,W/P120(G),SEA
..2	I/B	AA68-02723A	MANUAL USERS;CT-29A10,,ENG,,W/P100G,,K
..2	BAG-PE	AA69-01195A	BAG PE;CL29A6W8X,HDPETO.012,93/4X151
..2	AC-TAP	0203-001279	TAPE-OPP MASKING;#232,T0.14,W15,L50000,Y
..2	C/RCA	AA39-40001B	PATCH-CORD;3P-3P1500MMRED,WHT,YEL,500

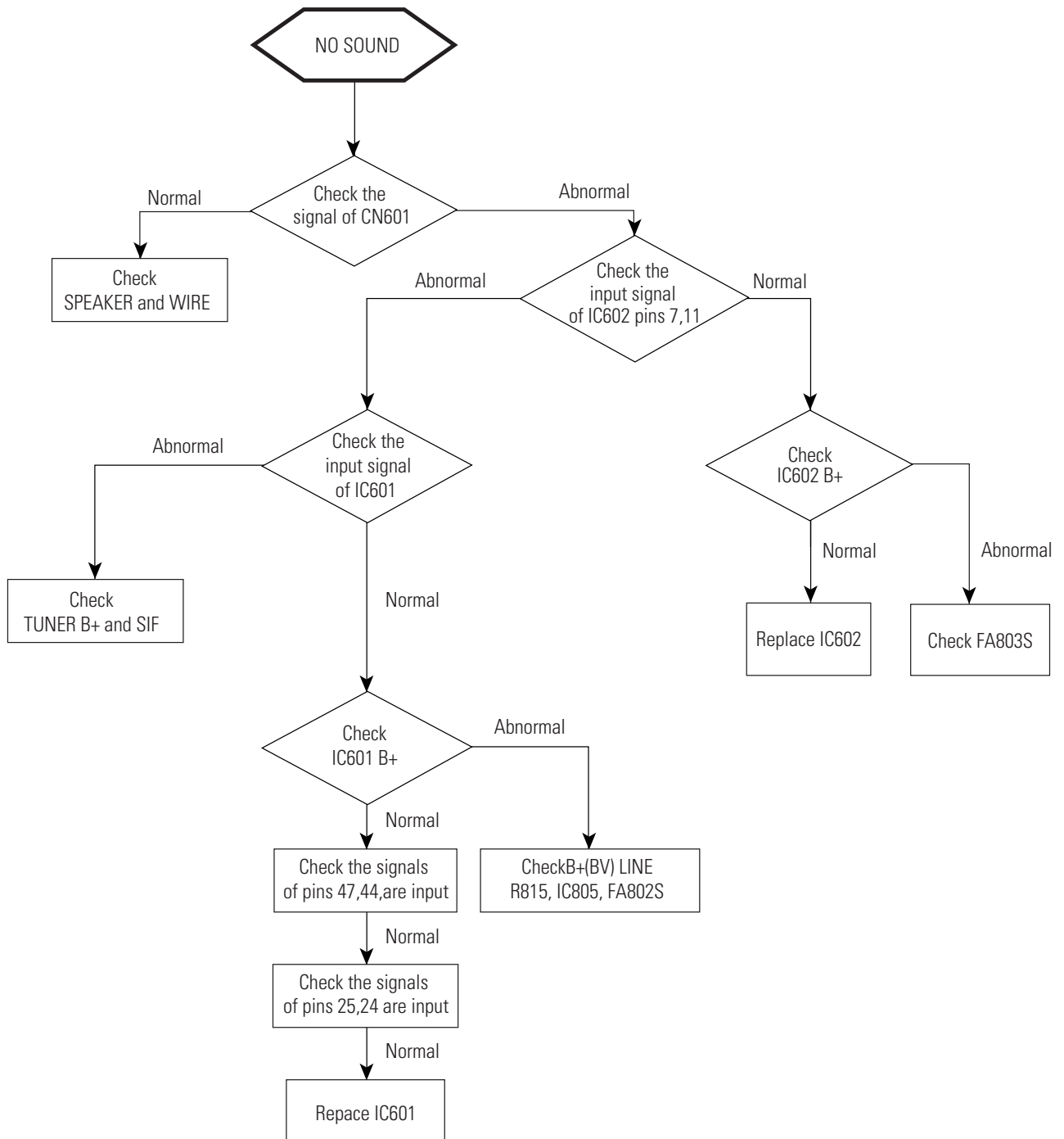
MEMO

7. Troubleshooting

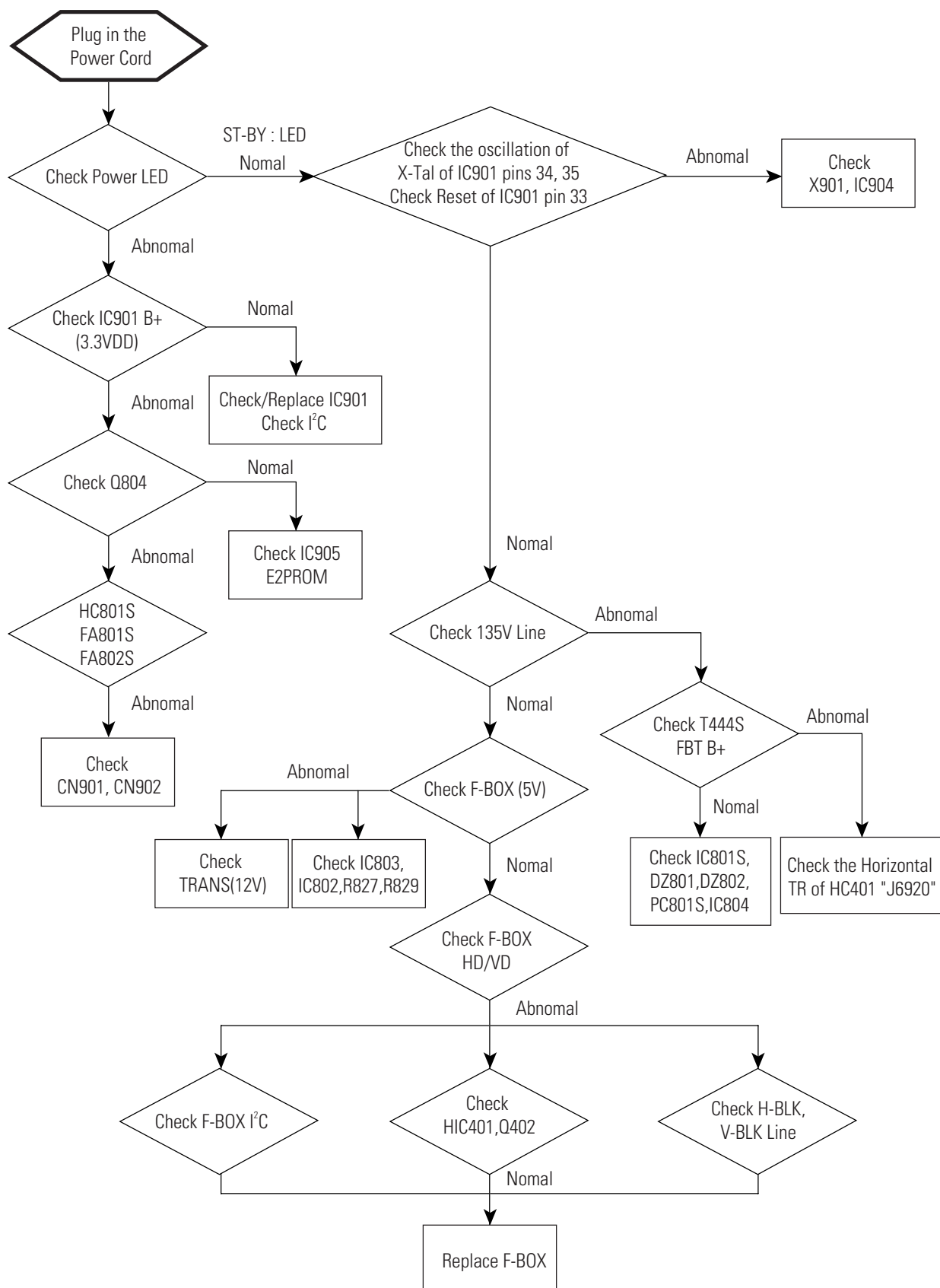
7-1 No Raster



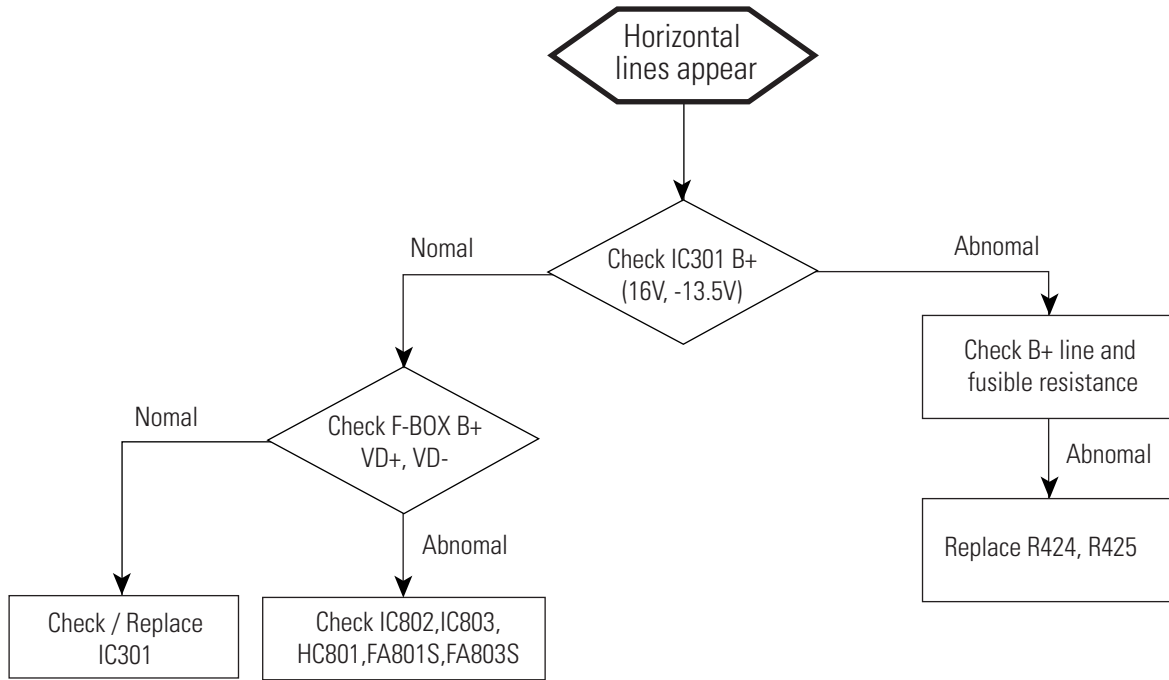
7-2 No Sound



7-3 No Power

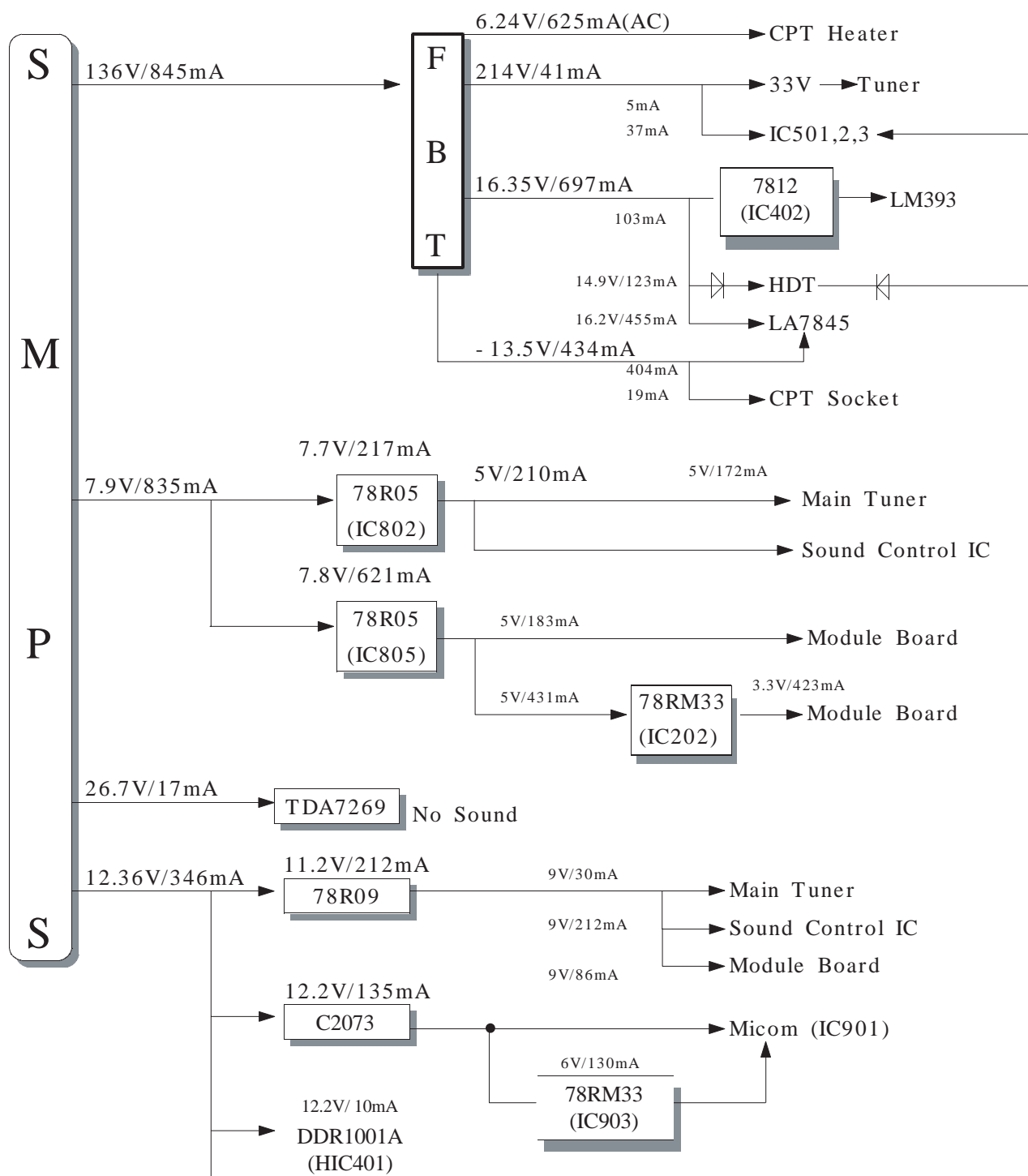


7-4 Horizontal Lines Appear



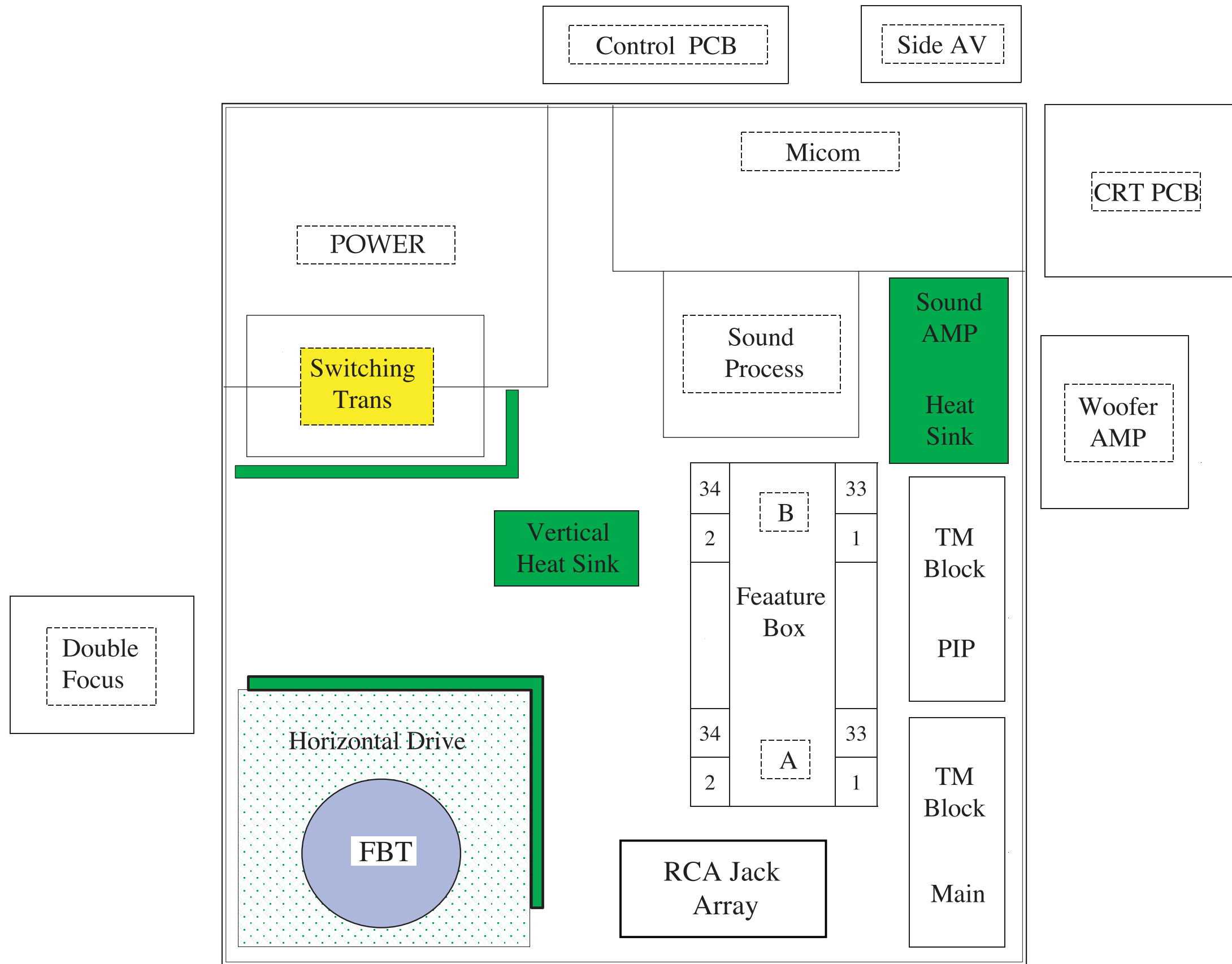
8. Block Diagram

8-1 Voltage / Current Block Diagram

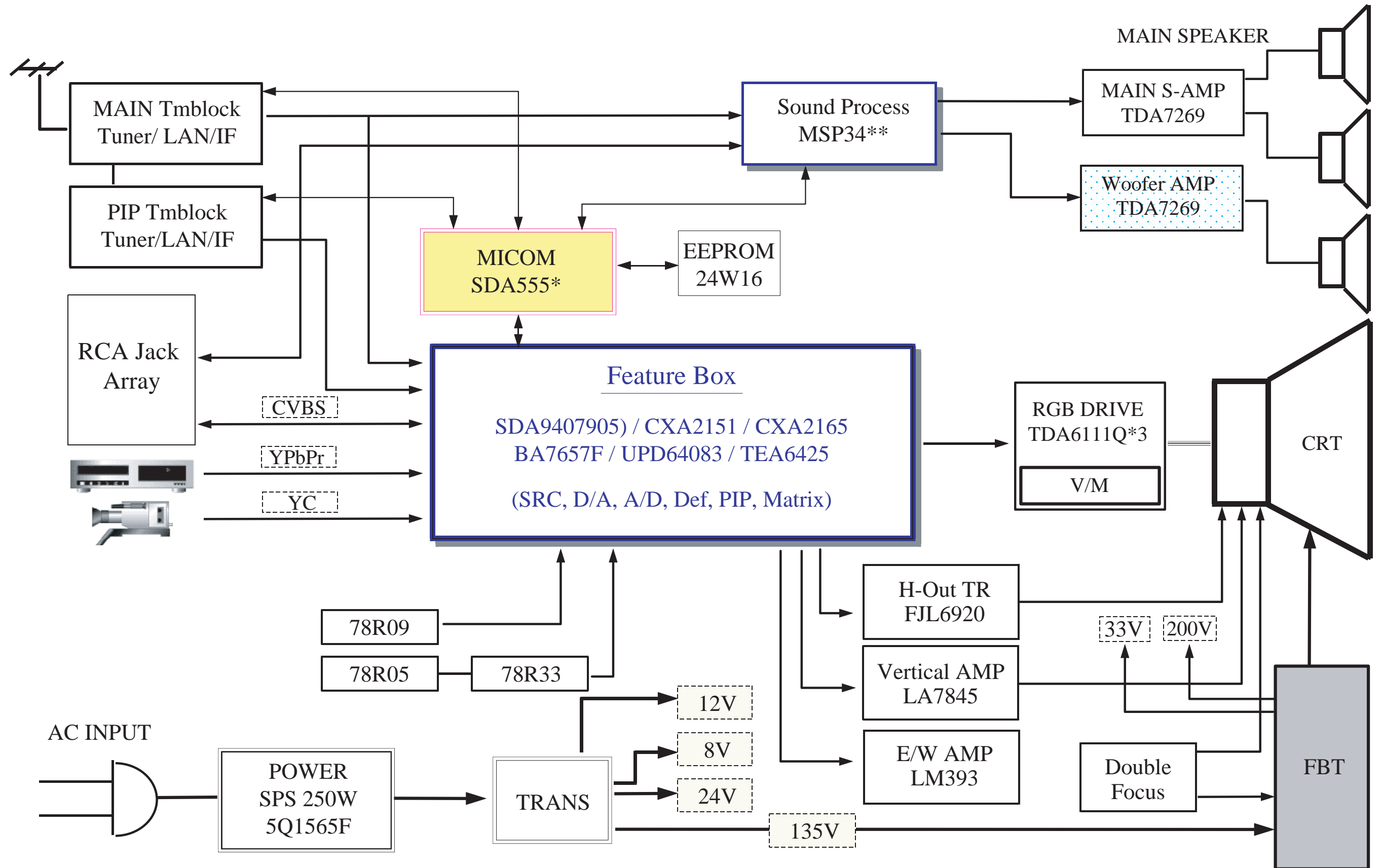


MEMO

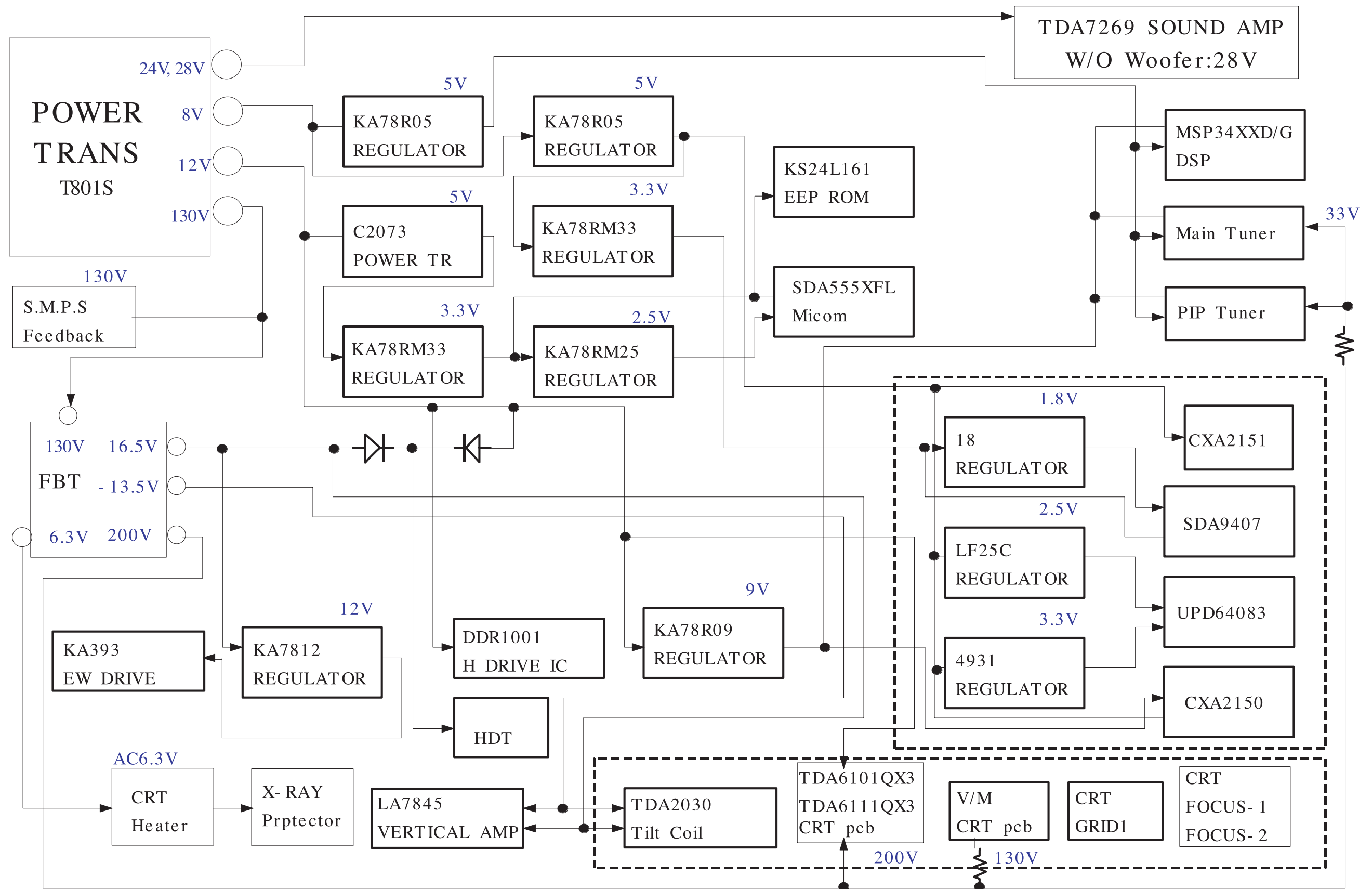
8-3 PCB Layout



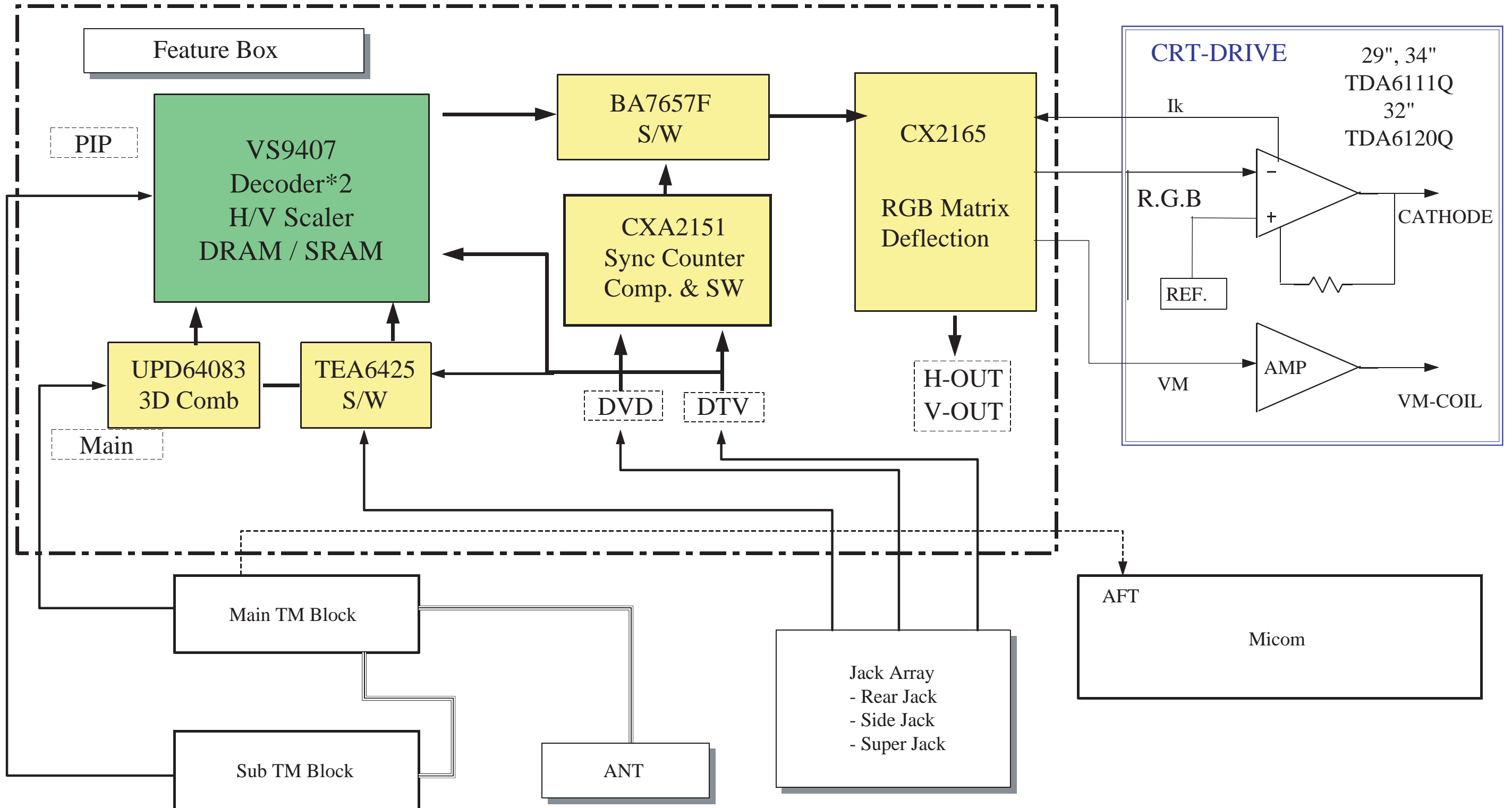
8-4 System Block Diagram



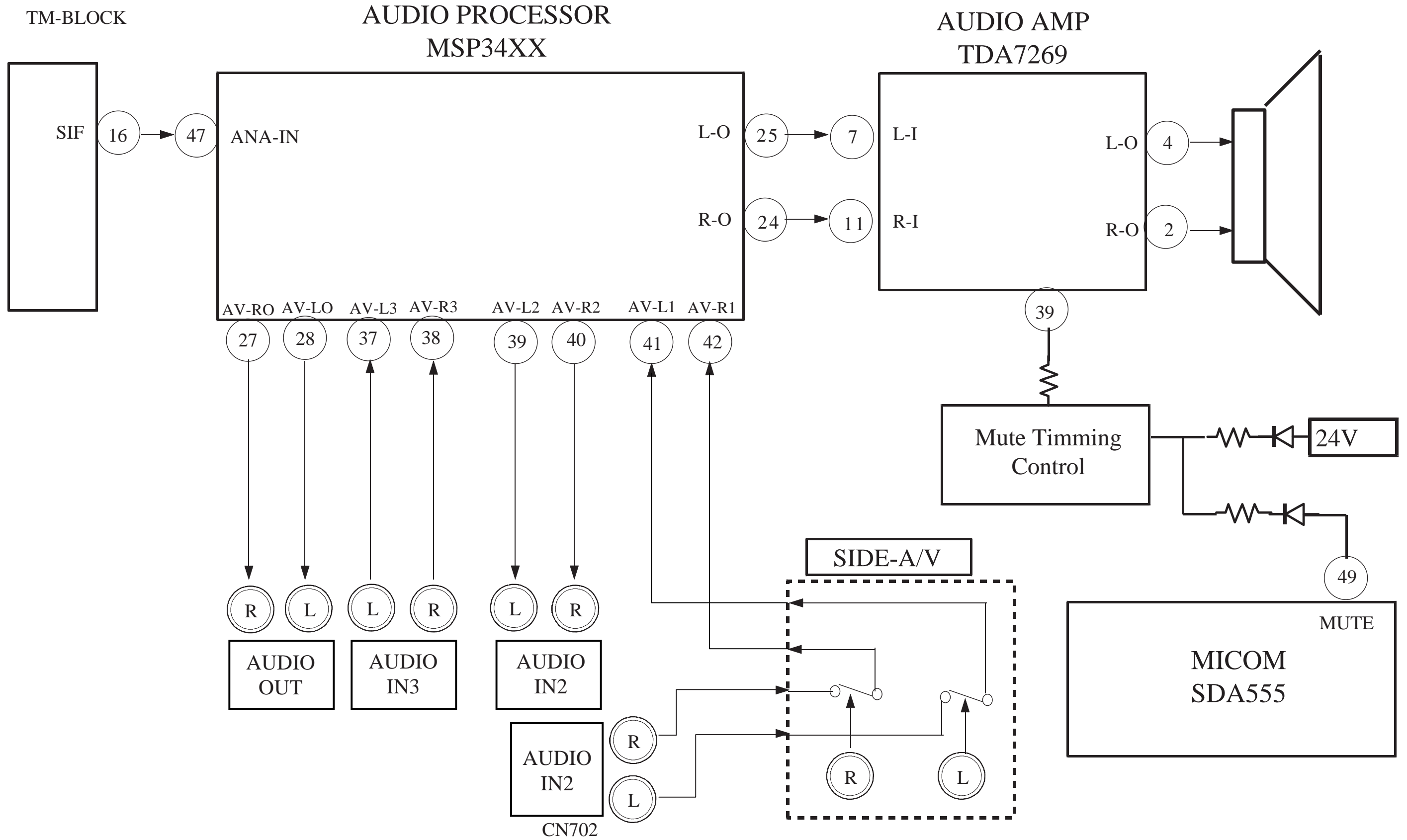
8-5 Power Block Diagram



8-6 Video Signal Block Diagram

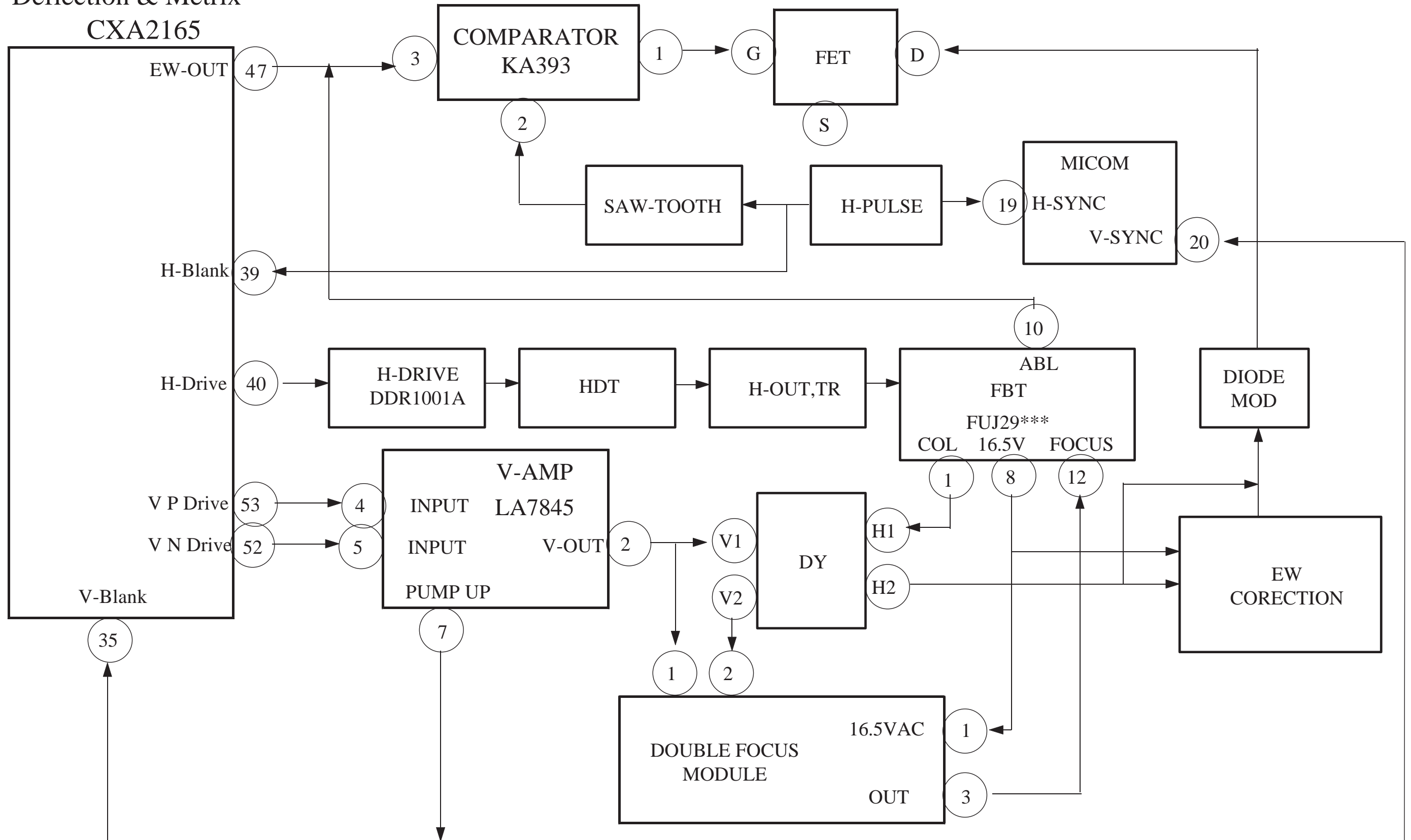


8-7 Sound signal Block Diagram



8-8 Deflection Block Diagram

Deflection & Metrix
CXA2165

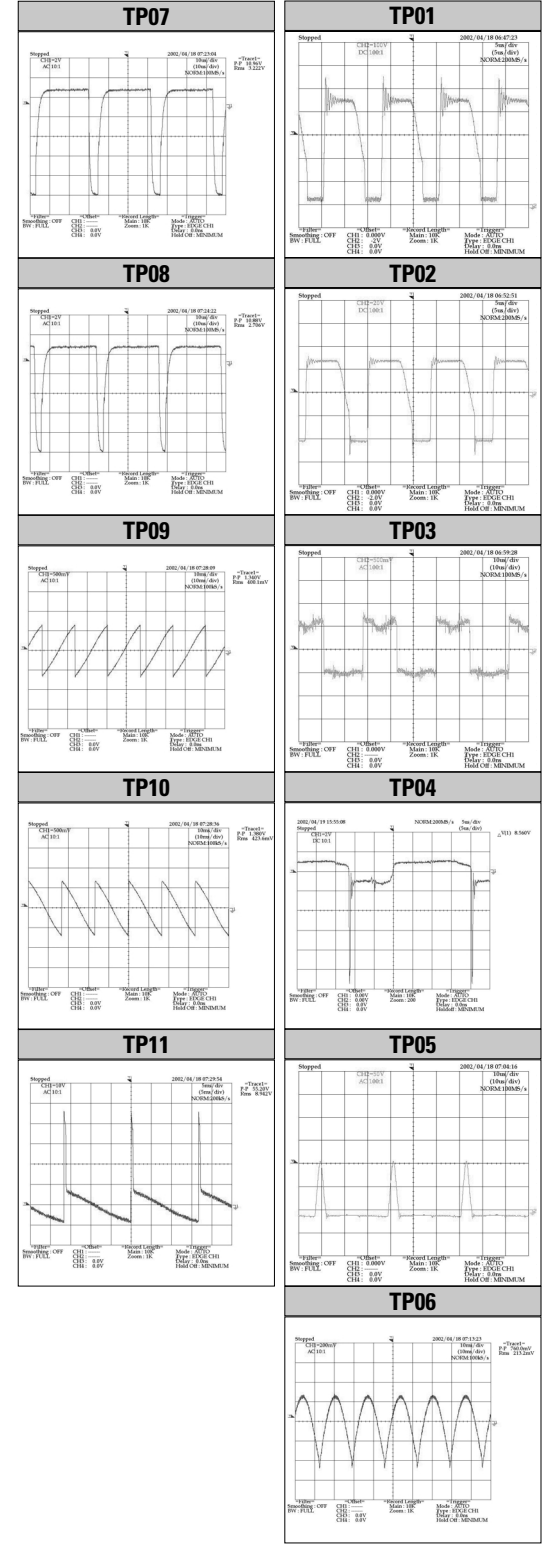
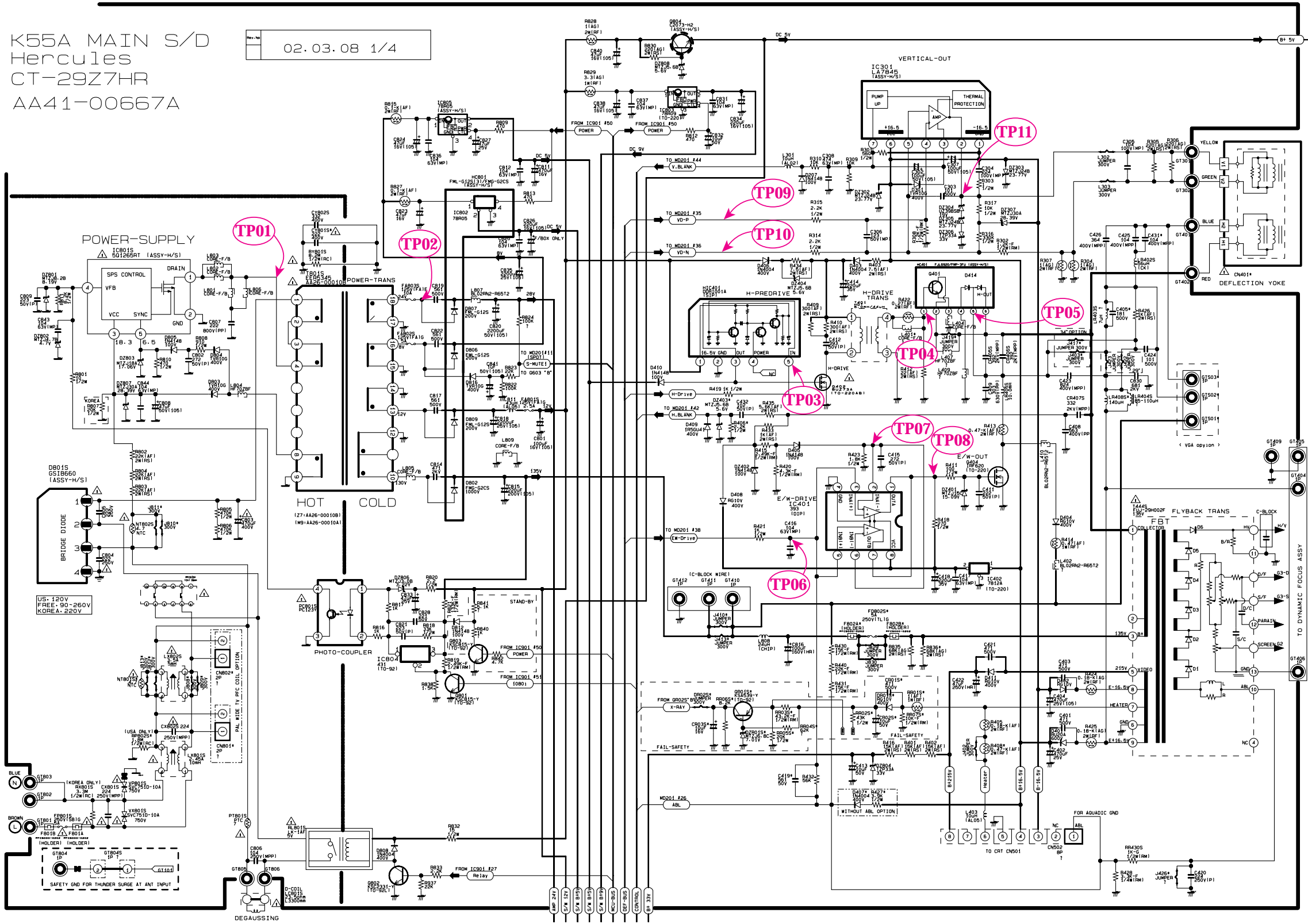


9. Schematic Diagrams

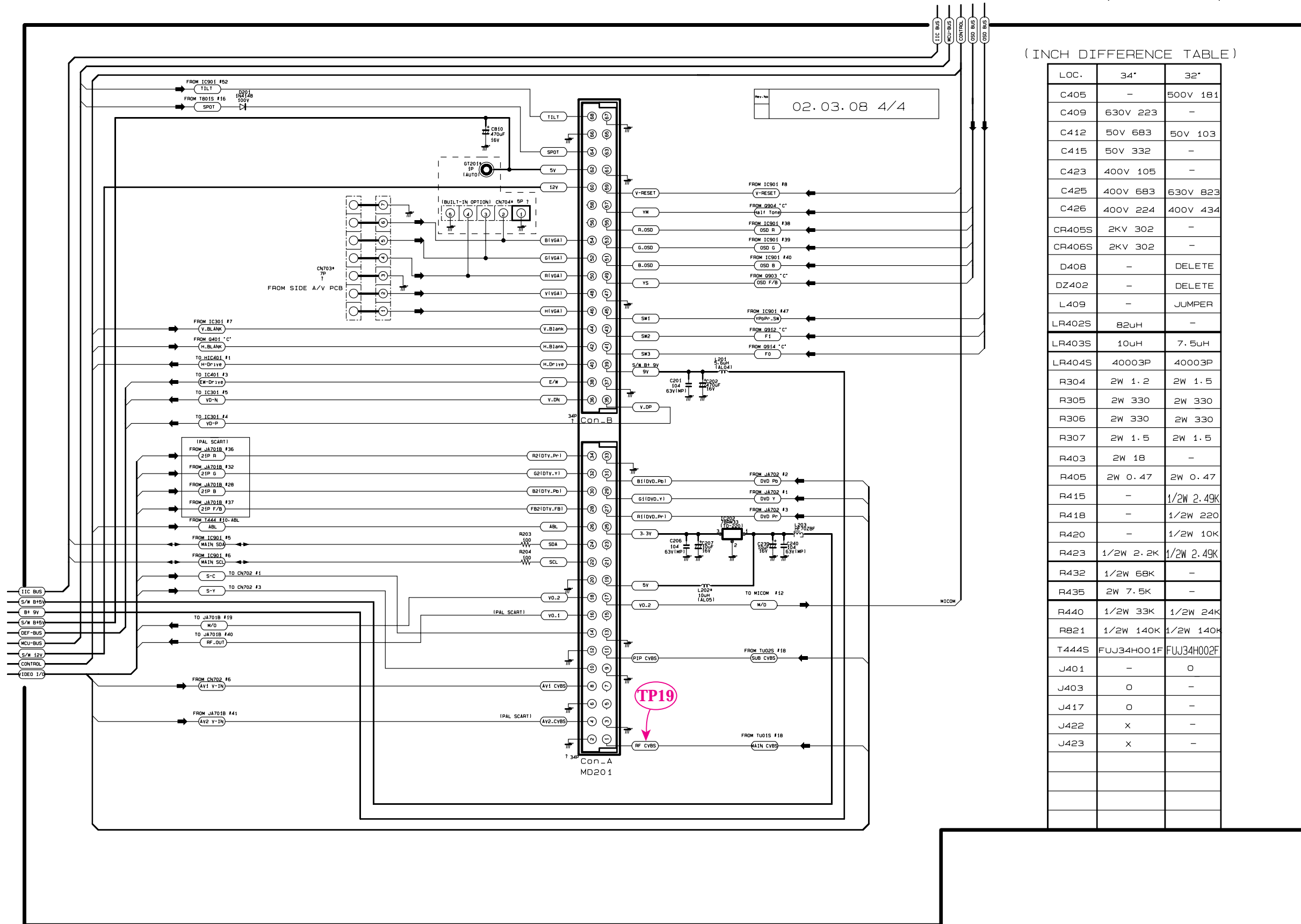
9-1 MAIN 1

K55A MAIN S/D
Hercules
CT-29Z7HR
AA41-00667A

02.03.08 1/4

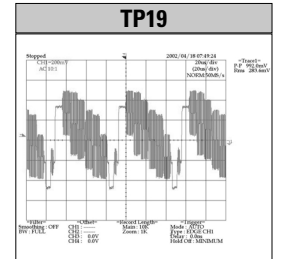


9-3 MAIN 3

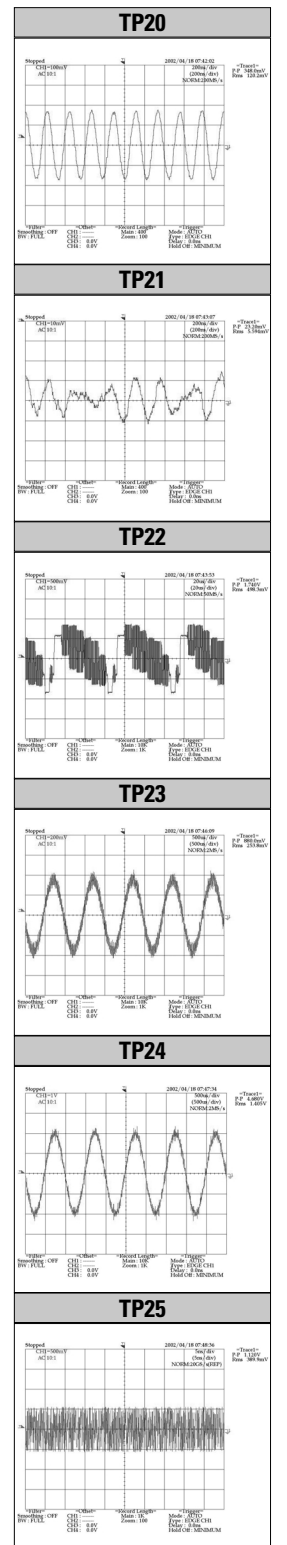
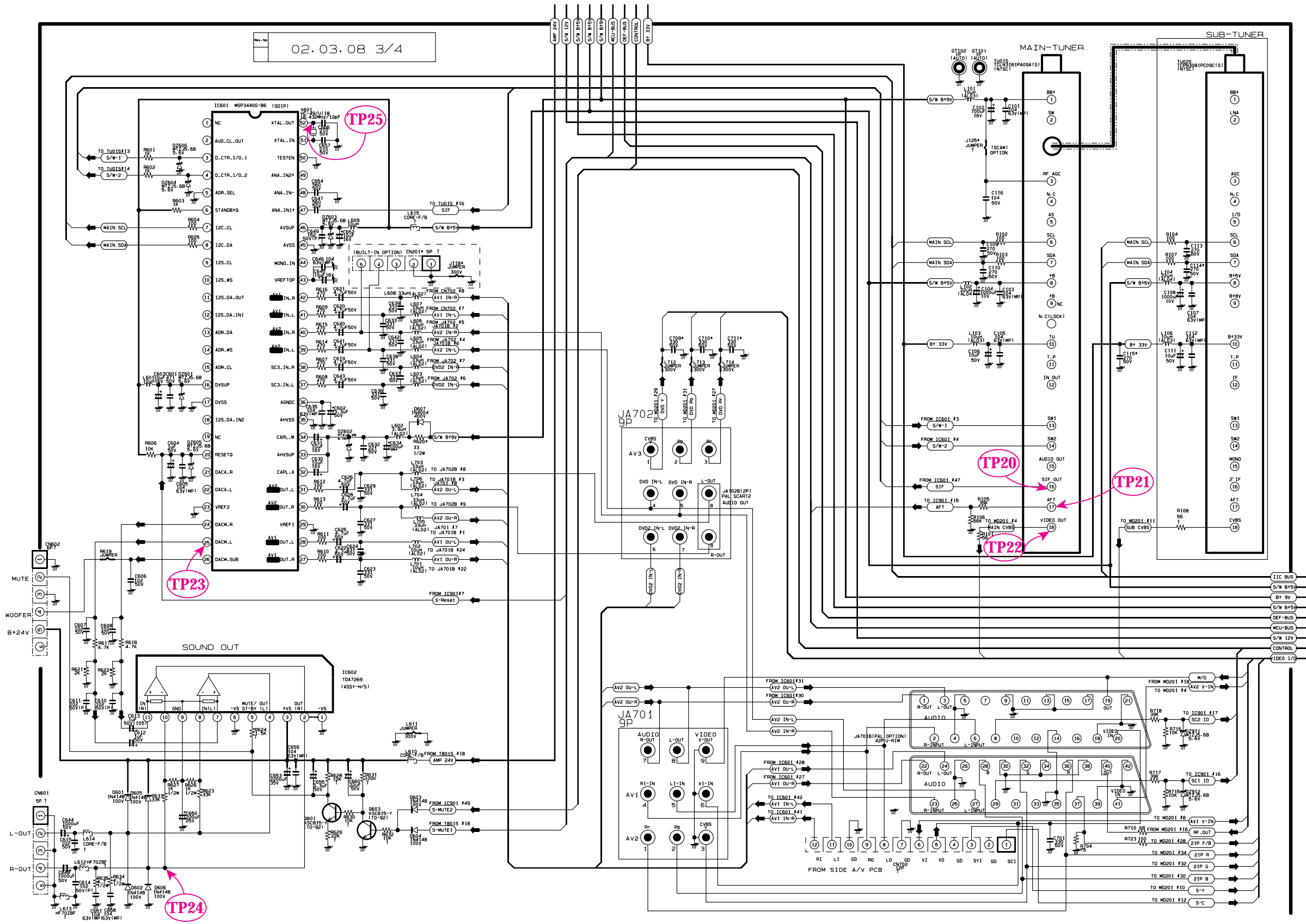


(INCH DIFFERENCE TABLE)

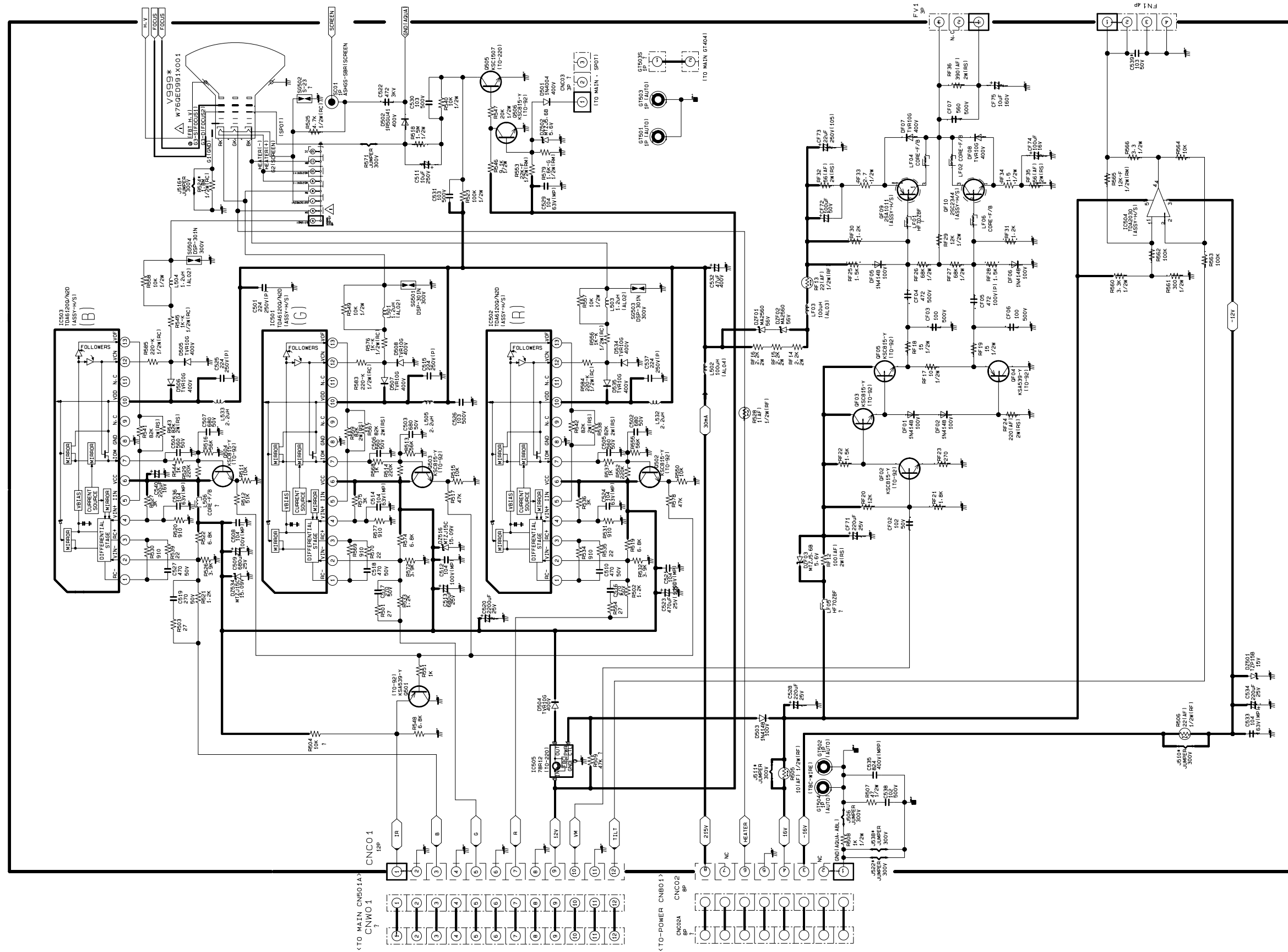
LOC.	34'	32'
C405	-	500V 181
C409	630V 223	-
C412	50V 683	50V 103
C415	50V 332	-
C423	400V 105	-
C425	400V 683	630V 823
C426	400V 224	400V 434
CR405S	2KV 302	-
CR406S	2KV 302	-
D408	-	DELETE
DZ402	-	DELETE
L409	-	JUMPER
LR402S	82uH	-
LR403S	10uH	7.5uH
LR404S	40003P	40003P
R304	2W 1.2	2W 1.5
R305	2W 330	2W 330
R306	2W 330	2W 330
R307	2W 1.5	2W 1.5
R403	2W 18	-
R405	2W 0.47	2W 0.47
R415	-	1/2W 2.49K
R418	-	1/2W 220
R420	-	1/2W 10K
R423	1/2W 2.2K	1/2W 2.49K
R432	1/2W 68K	-
R435	2W 7.5K	-
R440	1/2W 33K	1/2W 24K
R821	1/2W 140K	1/2W 140K
T444S	FUJ34H001F	FUJ34H002F
J401	-	0
J403	0	-
J417	0	-
J422	X	-
J423	X	-



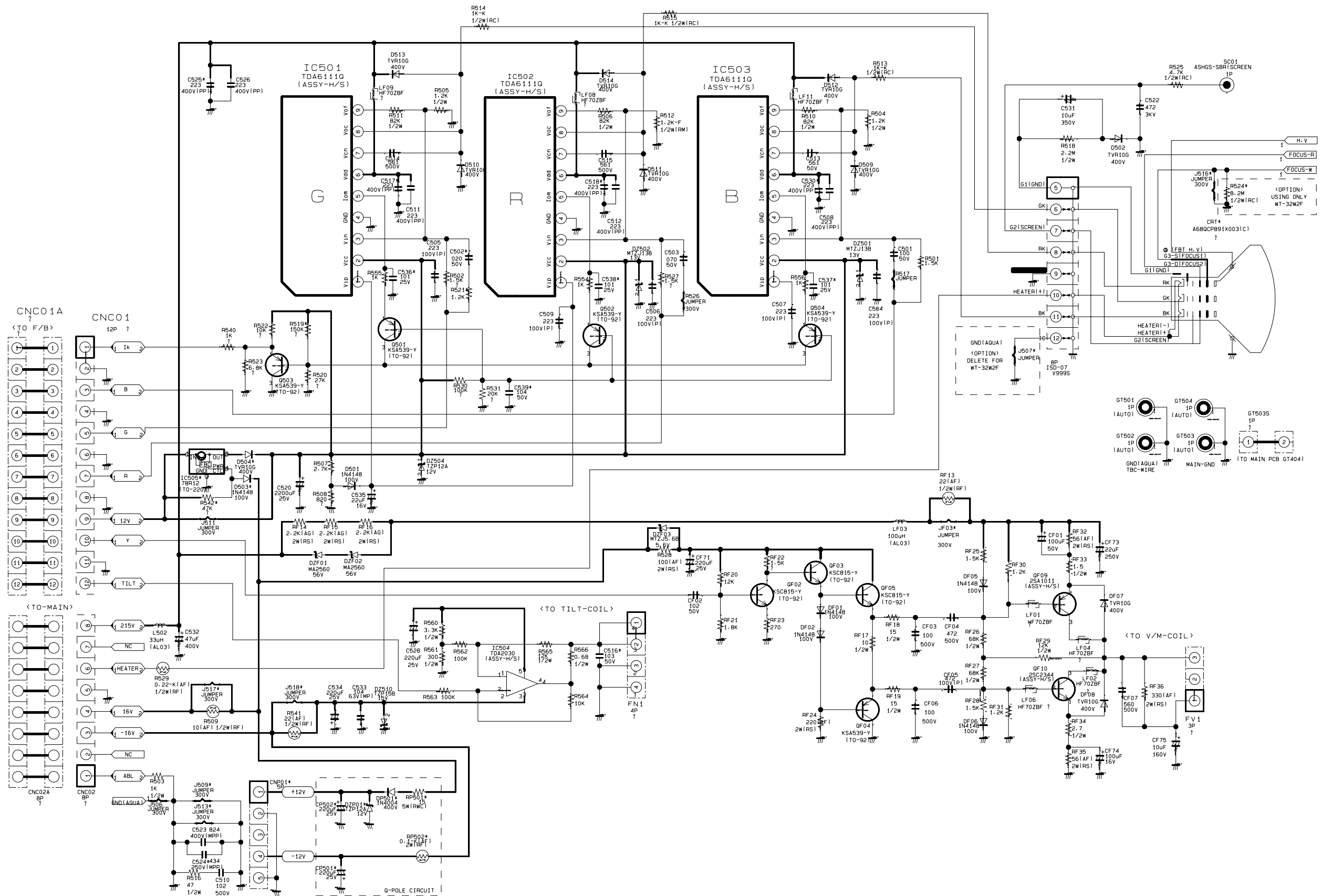
9-4 MAIN 4



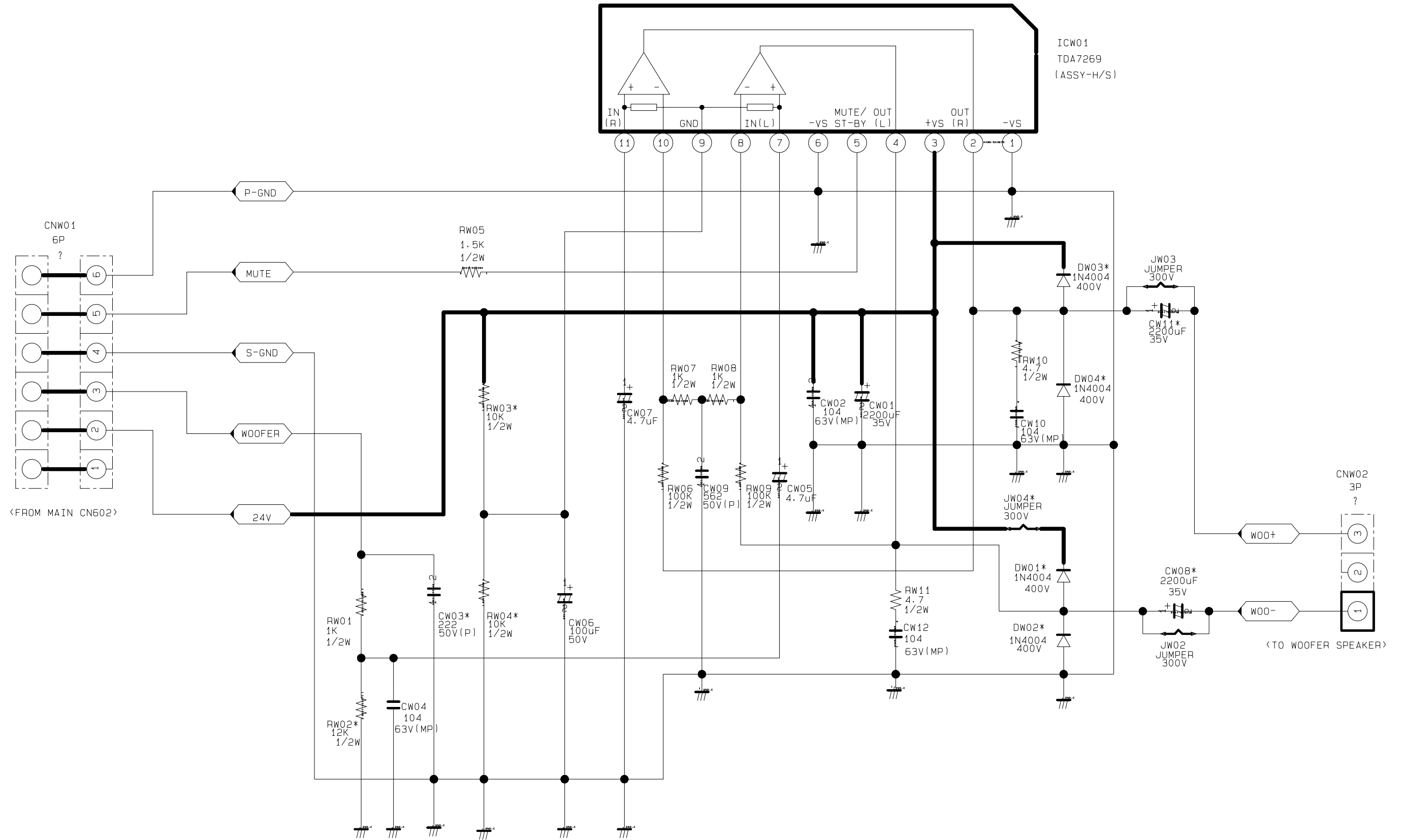
9-5 CRT / VM TDA6120Q



9-6 CRT / VM TDA6120Q

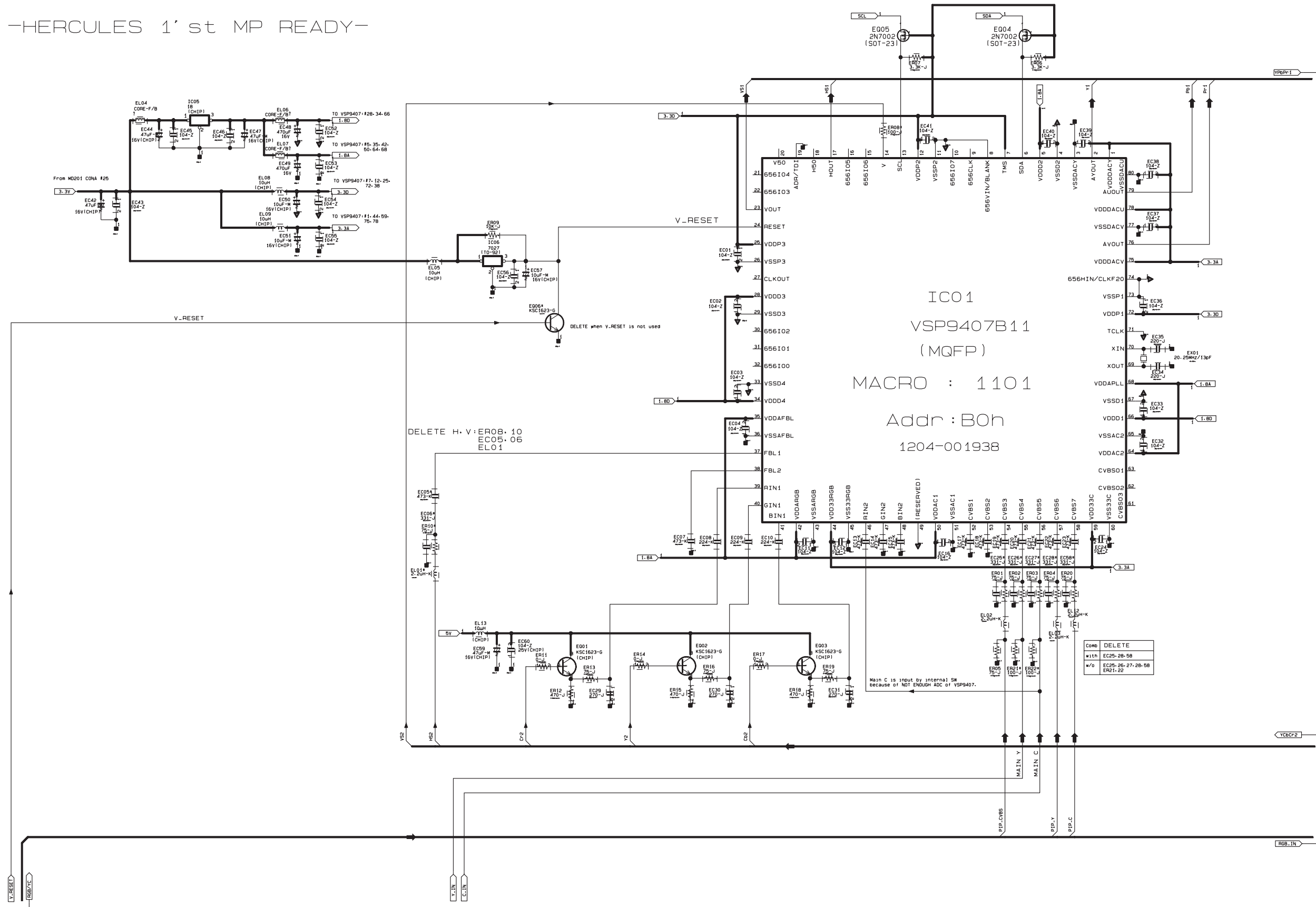


9-7 WOOFER

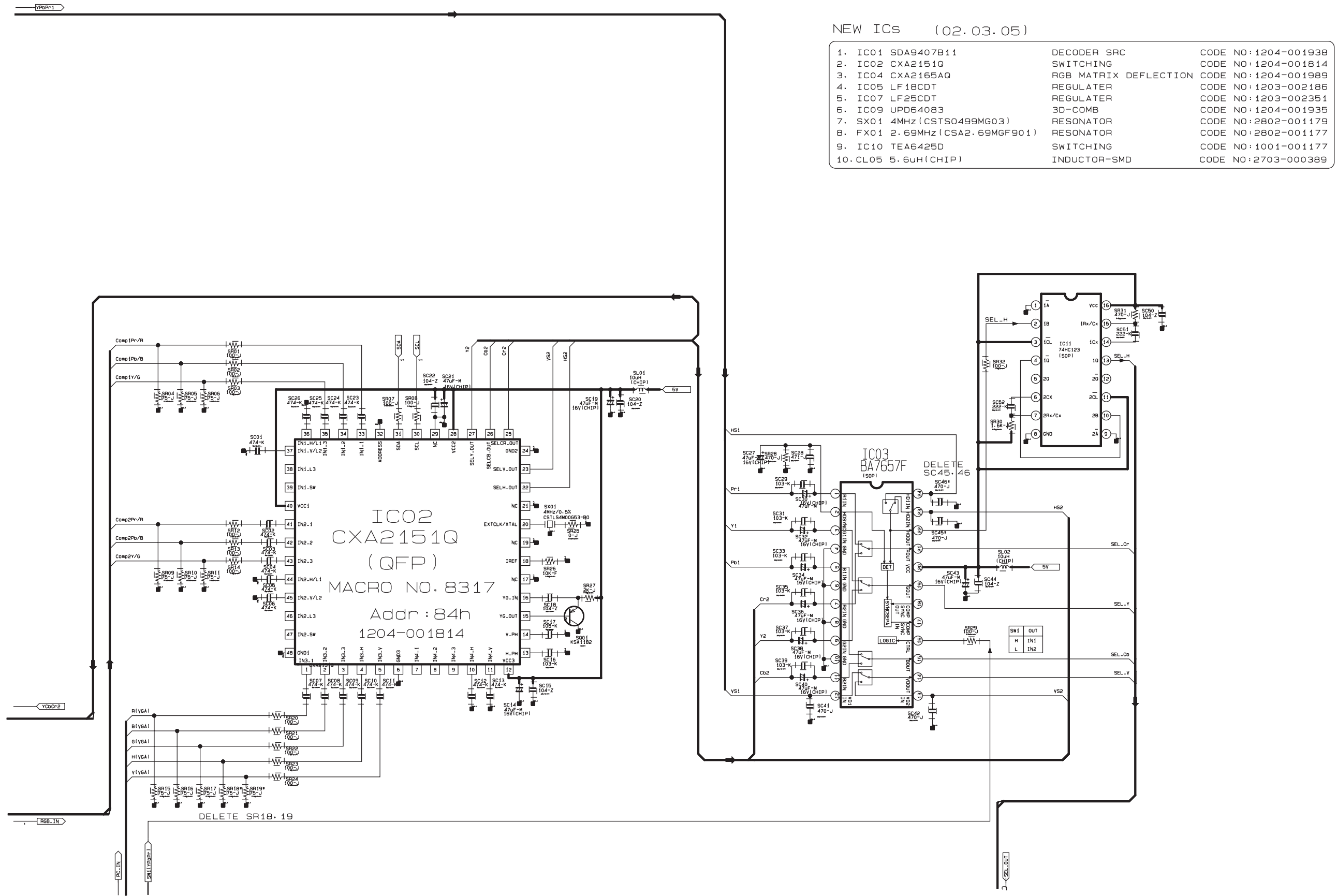


9-8 FEATURE-BOX-1

-HERCULES 1' st MP READY-



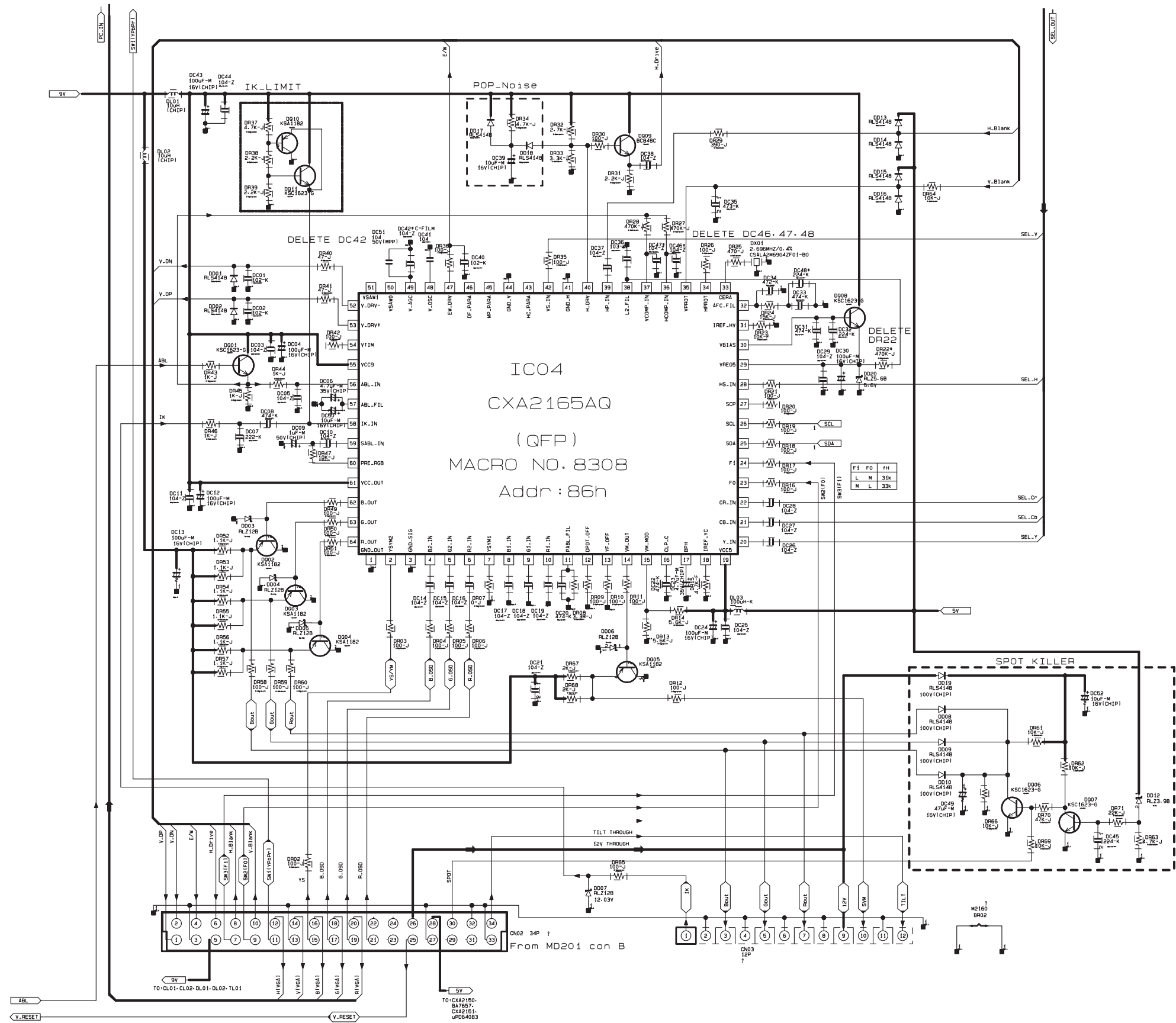
9-9 FEATURE-BOX-2



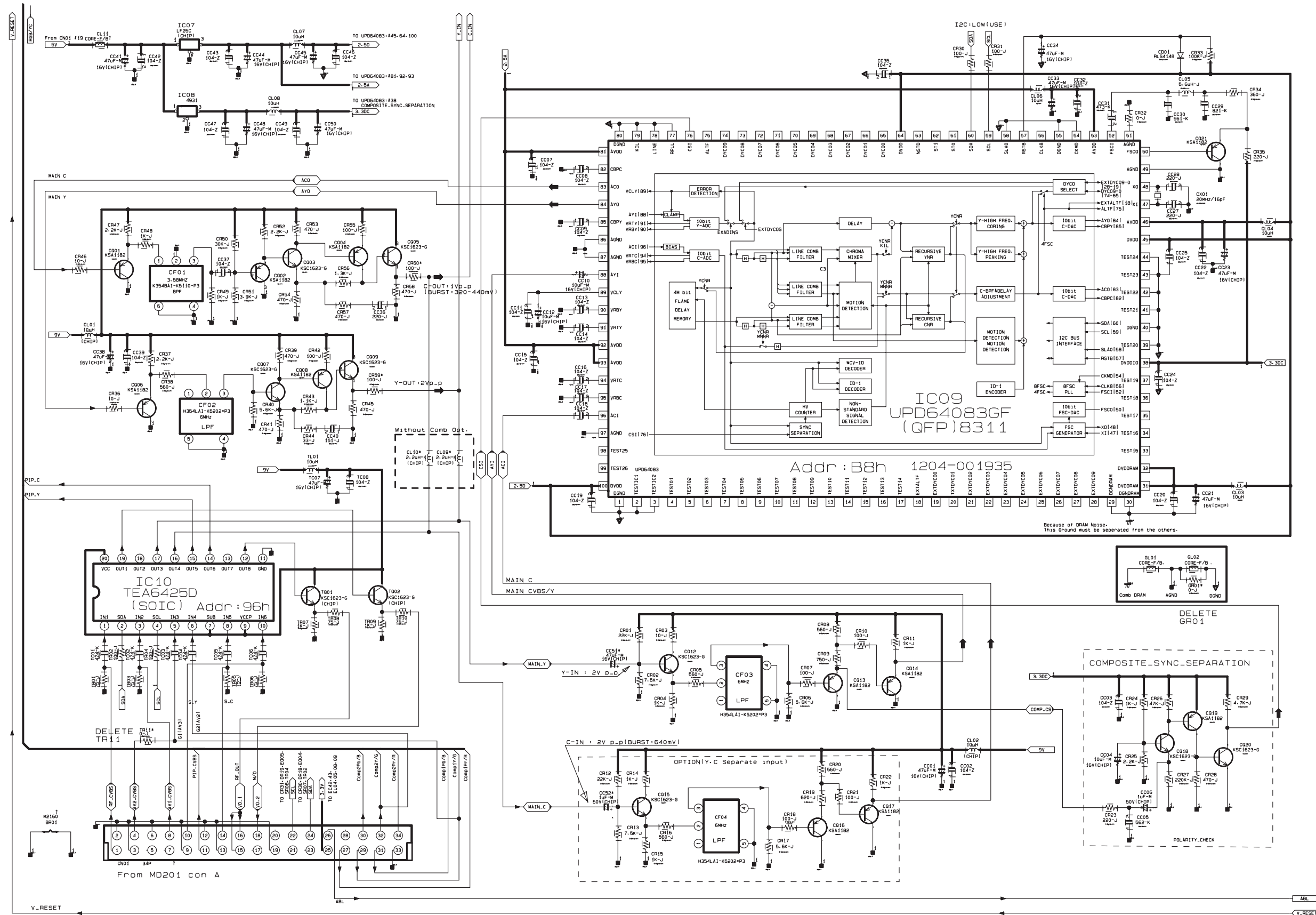
NEW ICs (02.03.05)

1. IC01 SDA9407B11	DECODER SRC	CODE NO: 1204-001938
2. IC02 CXA2151Q	SWITCHING	CODE NO: 1204-001814
3. IC04 CXA2165AQ	RGB MATRIX DEFLECTION	CODE NO: 1204-001989
4. IC05 LF18CDT	REGULATOR	CODE NO: 1203-002186
5. IC07 LF25CDT	REGULATOR	CODE NO: 1203-002351
6. IC09 UPD64083	3D-COMB	CODE NO: 1204-001935
7. SX01 4MHZ (CST50499MG03)	RESONATOR	CODE NO: 2802-001179
8. FX01 2.69MHZ (CSA2.69MGF901)	RESONATOR	CODE NO: 2802-001177
9. IC10 TEA6425D	SWITCHING	CODE NO: 1001-001177
10. CL05 5.6µH (CHIP)	INDUCTOR-SMD	CODE NO: 2703-000389

9-10 FEATURE-BOX-3



9-11 FEATURE-BOX-4



9-12 SIDE AV, WOOFER JACK, CONTROL

